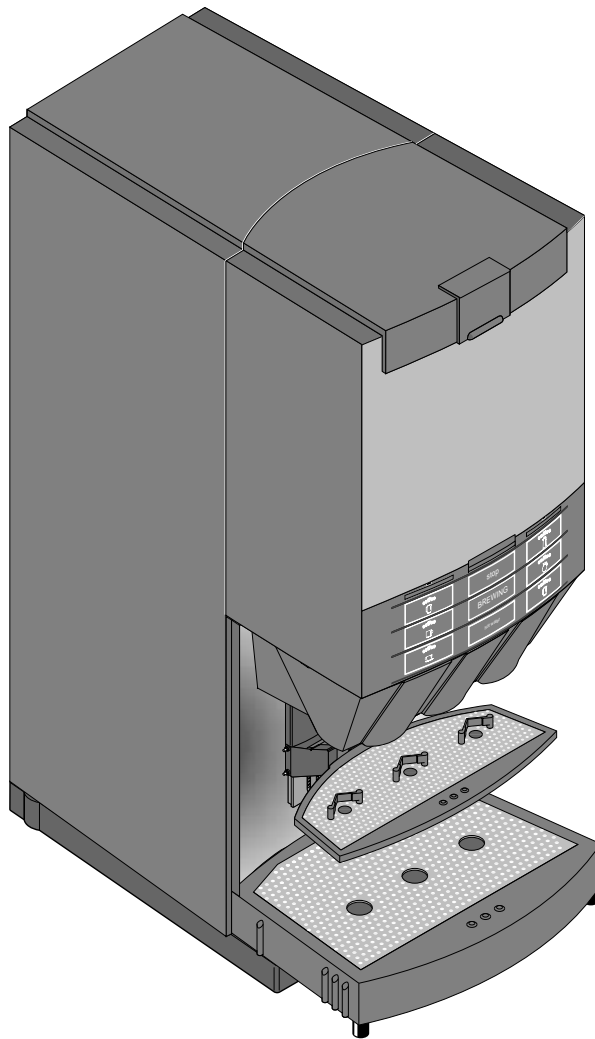


# CAFITESSE 500

## SPARE PARTS LIST



# 10 Spare Parts List

---

# 10 Spare Parts List

## *Index*

	Chapter/Page
<b>General information</b>	<b>10.1</b>
General remarks / How to use the Spare Parts List	<b>5</b>
<b>Index - Spare parts list</b>	<b>10.2 / 7</b>
<b>Index - Kits</b>	<b>10.3 / 1</b>
<b>Index - Accessories and tools</b>	<b>10.4 / 1</b>
<b>Index - Country kits</b>	<b>10.5 / 1</b>
<b>Index - Push buttons with frame, black</b>	<b>10.6 / 1</b>
<b>Index - Advertizing photos</b>	<b>10.7 / 1</b>



## 10.1 Remarks

### 10.1 General remarks

- The Spare parts list includes 5 chapters.
- The components are divided into individual parts and assemblies and are consecutively numbered. Assemblies are highlighted with bold letters.



**Parts without indication of the part number cannot be ordered separately. These parts can only be ordered as an assembly or in an assembly. These parts are only listed as an explanation of the assembly's contents.**

- The figures are numbered.
- When ordering Spare Parts please quote the part number, the designation of the part, the quantity and the machine number if necessary.

Spare parts and accessories are especially designed for the dispensers of **Douwe Egberts**. **We explicitly point out that parts not delivered by ourselves have not been checked and approved by us.**

The installation and/or use of such parts may affect the constructional properties of the dispenser and thus impair the operating safety.

**The manufacturer excludes any liability for damages that result from the use of parts or accessories that are not original.**

In case of ordering parts contact your **Douwe Egberts Coffee Systems Order Department**.

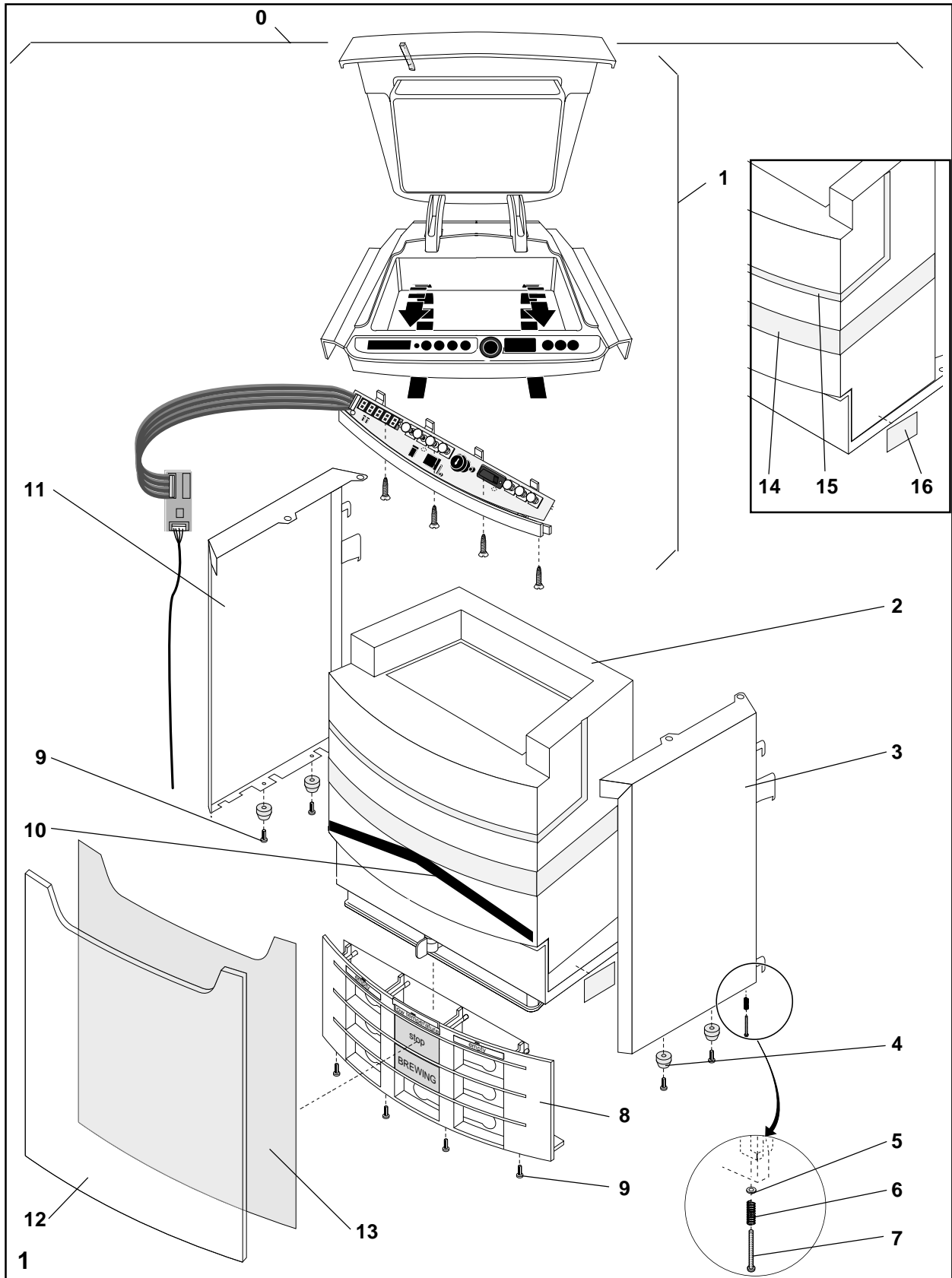
## 10.2 Spare Parts List

## 10.2 Spare Parts List

### *Index Spare Parts List*

	Chapter / Page
<b>Components - Spare parts list</b>	<b>10.2</b>
Front part, assy	9
Front part left side part and right side part, mounted	11
Cooling compartment, assy	13
B2 coil	15
Empty detection, compl. injection moulded	15
Cap for motor automatic trough incl. screws	17
Motor with lever arm	17
Ventilator, assy	19
Lid cooling compartment premounted	21
Operating unit top, assy	21
Operating panel bottom, assy incl. brewing display	23
Base stay mounted	25
Drip tray, assy	25
Splash panel, assy incl. adjusting	27
Cup carrier, assy	27
Boiler console, assy	29
Housing, assy	29
Housing cover, assy	29
Kit guiding bolt	29
Power supply unit cover	29
Combined trough 2 whippers, no whippers, assy	31
Connecting console, assy	33
Exhausting air grid, assy	35
Shielding cover, assy	35
Boiler, assy	37
Hot water valve	39
Product valve	39
Nozzle	39
Boiler cover mounted incl. cable harness heating	41
MCB-Housing, assy	43
Switching mode power pack, assy	43
Power pack 3-element heating	45

# 10.2 Spare Parts List





## 10.2 Spare Parts List

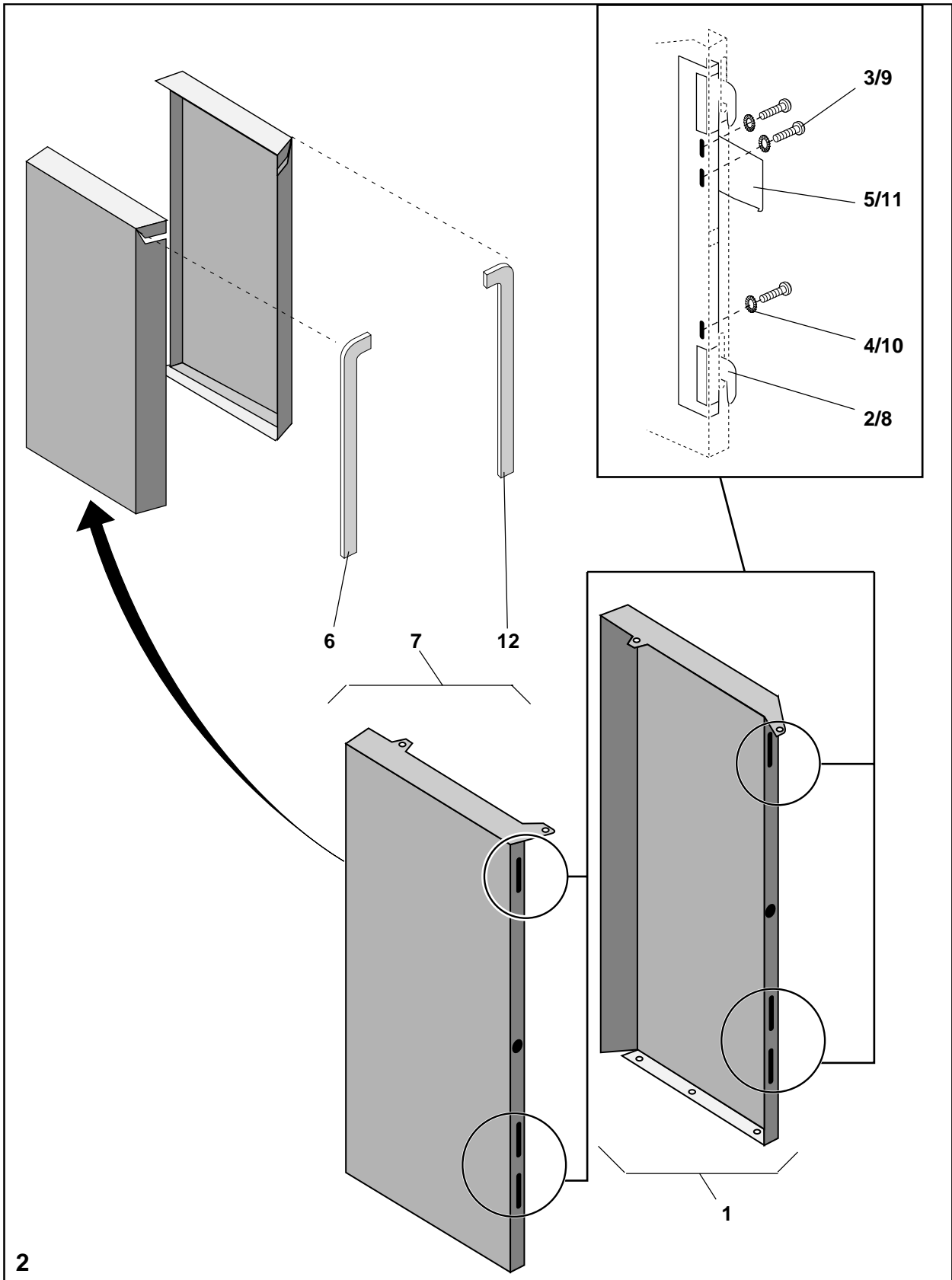
Pos.	Part.-No.	Designation
00/1	M-6403	<b>Front part, assy US</b> consisting of:
01/1	G-1486	<b>Operating unit top, assy</b> (see page 21)
02/1	G-1485	<b>Cooling compartment, assy</b> (see page 13)
03/1	G-3355	<b>Front part, right side part</b> (see page 11)
04/1	35222400	Centering bush (stop for filterholder)
05/1	A-0133	Washer 5,3mm
06/1	A-0869	Pressure spring
07/1	A-0868	Countersunk head screw M5x60
08/1	G-1487	<b>Operating panel bottom, assy incl. brewing display</b> (see page 23)
09/1	A-0421	Screw EJOT 35x12mm
10/1	K-0210	Adhesive sealing tape 9mm
11/1	G-3354	<b>Front part, left side part</b> (see page 11)
-	G-2846	Plaited hose
-	G-1462	Cable harness BU 21-22 front part

### Additionally

(not incl. in a. m. assembly)

12/1	B-1842	Front panel Plexi
13/1	Option	Advertizing photo (see appendix chapter 10.7)
14/1	K-0082	Tape white
15/1	K-0067	Tape
16/1	K-0037	Tape
-	-	Push buttons (see appendix chapter 10.6)

# 10.2 Spare Parts List



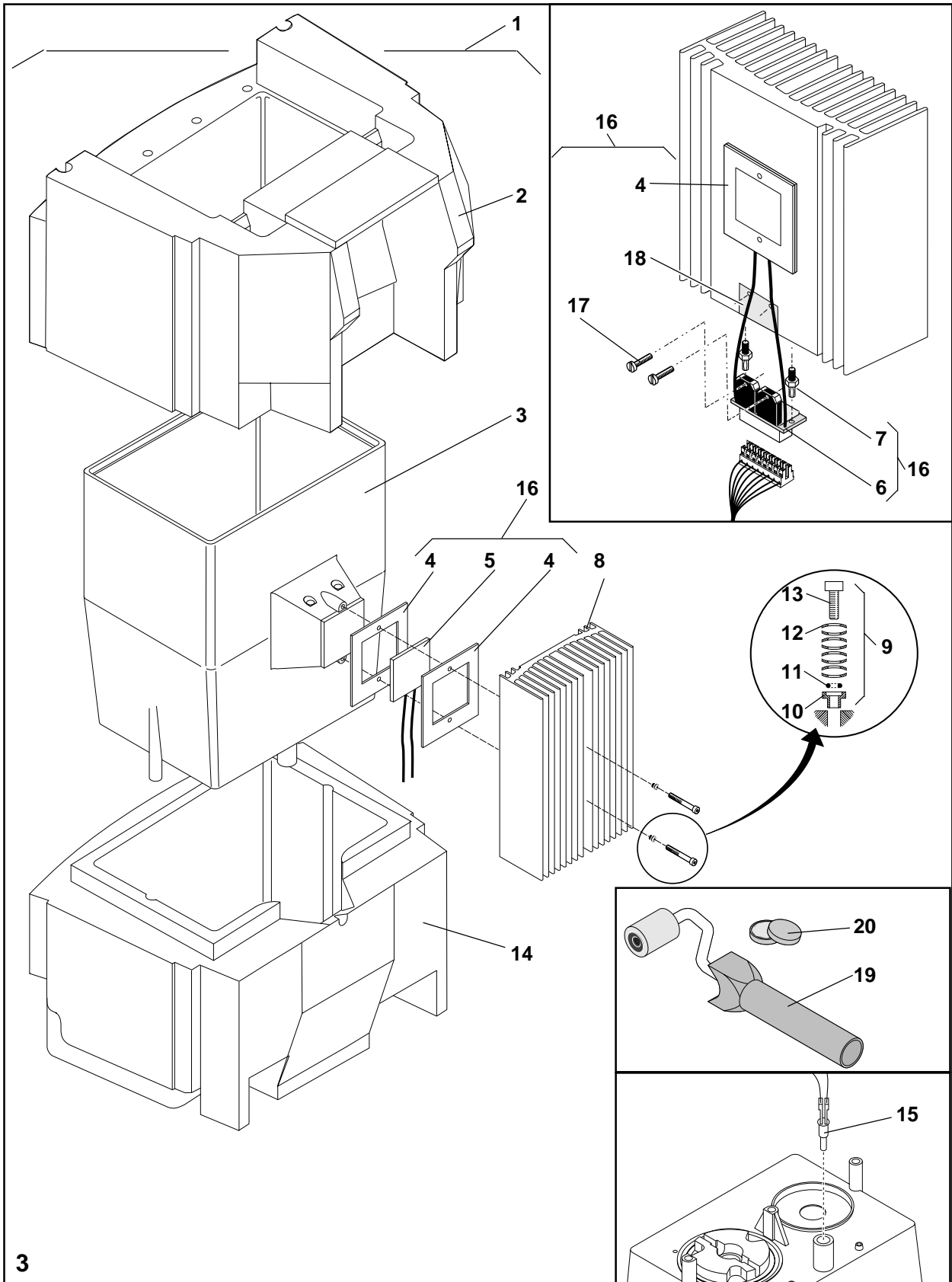
## 10.2 Spare Parts List

**Pos. Part.-No. Designation**

**Front part, assy US (continuation)**

<b>1/2</b>	<b>G-3354</b>	<b>Front part, left side part, mounted</b> consisting of:
2/2	G-5167	Locking bar angle, left incl. Hexagon nut M5
3/2	A-0833	Screw recessed head M3x12
4/2	A-0135	Lock washer 3,2mm
5/2	G-5166	Guiding rod, left
6/2	B-1269	Cellular sealing (roll a' 10m)
-	-	Front part, left
<b>7/2</b>	<b>G-3355</b>	<b>Front part, right side part, mounted</b> consisting of:
8/2	G-5114	Locking bar angle, right incl. hexagon nut M5
9/2	A-0833	Screw recessed head M3x12
10/2	A-0135	Lock washer 3,2mm
11/2	G-5165	Guiding rod, right
12/2	B-1269	Cellular sealing (roll a' 10m)
-	-	Front part, right

# 10.2 Spare Parts List

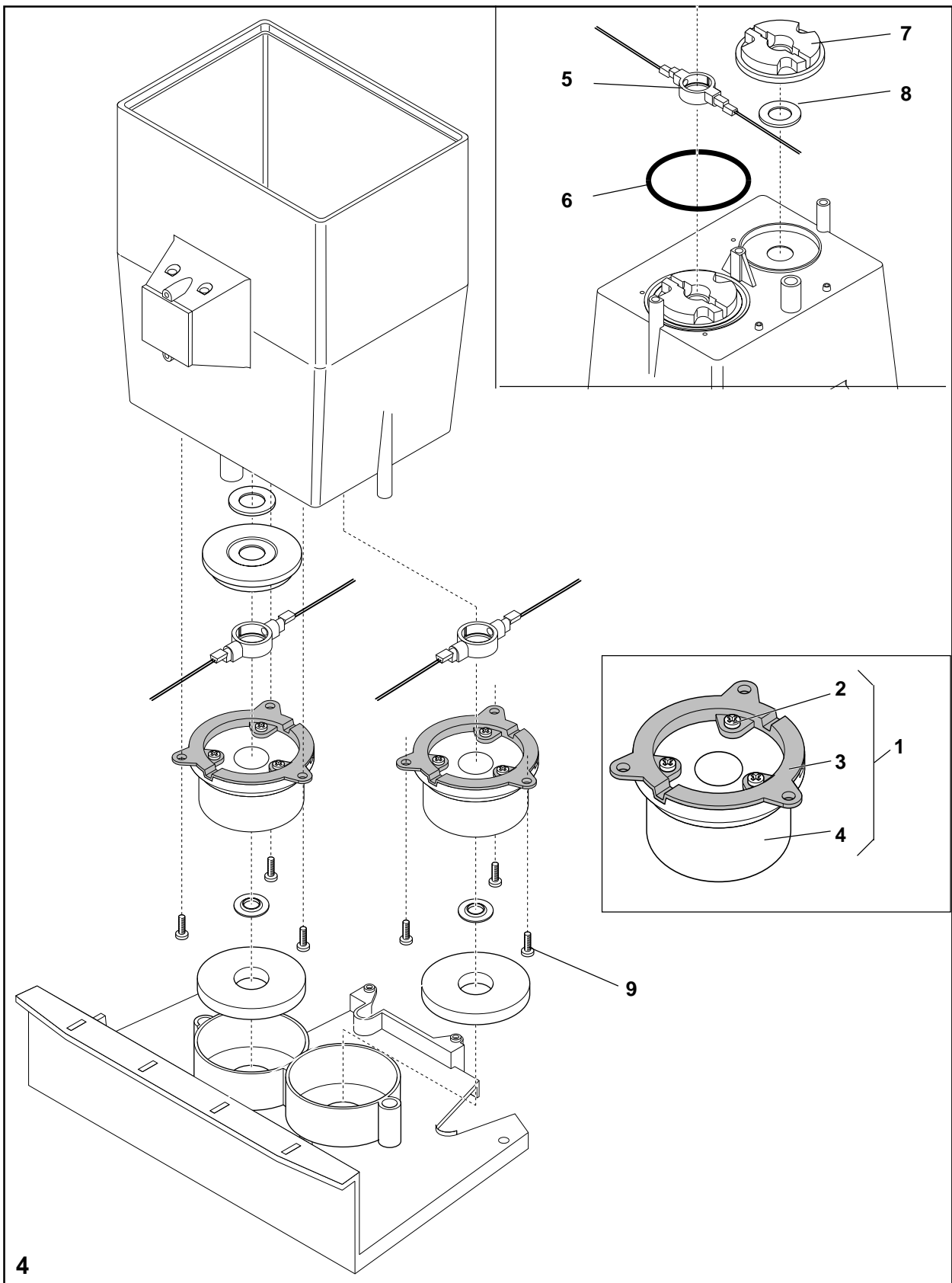


3

## 10.2 Spare Parts List

Pos.	Part.-No.	Designation
<b>Front part, assy US</b> (continuation)		
<b>1/3</b>	<b>G-1485</b>	<b>Cooling compartment assy</b> consisting of:
2/3	B-1870	Isolation f. cooling compartment upper part
3/3	B-1894	Cooling compartment
4/3	B-1861	Peltier sealing (2 pcs)
5/3	-	Peltier (see Repair kit peltier element)
6/3	-	Circuit board (see Repair kit peltier element)
7/3	D-1210	Distance piece
8/3	B-2304	Cooling block
<b>9/3</b>	<b>G-3384</b>	<b>Fastening Peltier, assy</b> consisting of:
10/3	B-1356	Bush for screw gasket
11/3	A-0864	O-ring
12/3	A-0853	Clamping ring (8 pcs)
13/3	A-0935	Screw M4x40mm
14/3	B-1871	Isolation f. cooling compartment bottom part
15/3	37008200	Temperature sensor sealed (can use F-0456 sensor without sealing)
<b>16/3</b>	<b>G-2491</b>	<b>Repair kit peltier element US</b> consisting of:
4/3	-	Peltier sealing (2 pcs)
5-6/3	-	Peltier and circuit board soldered
7/3	-	Distance piece
17/3	A-0833	Cross slotted screw M3x12mm
18/3	D-1193	Insulating foil
<b>Additionally</b> ( <b>not incl.</b> in a. m. assembly)		
19/3	B-1883	Service tool roll for heat conducting paste
20/3	K-0245	Heat conducting paste for peltier

# 10.2 Spare Parts List



## 10.2 Spare Parts List

**Pos. Part.-No. Designation**

**Front part, assy US** (continuation)

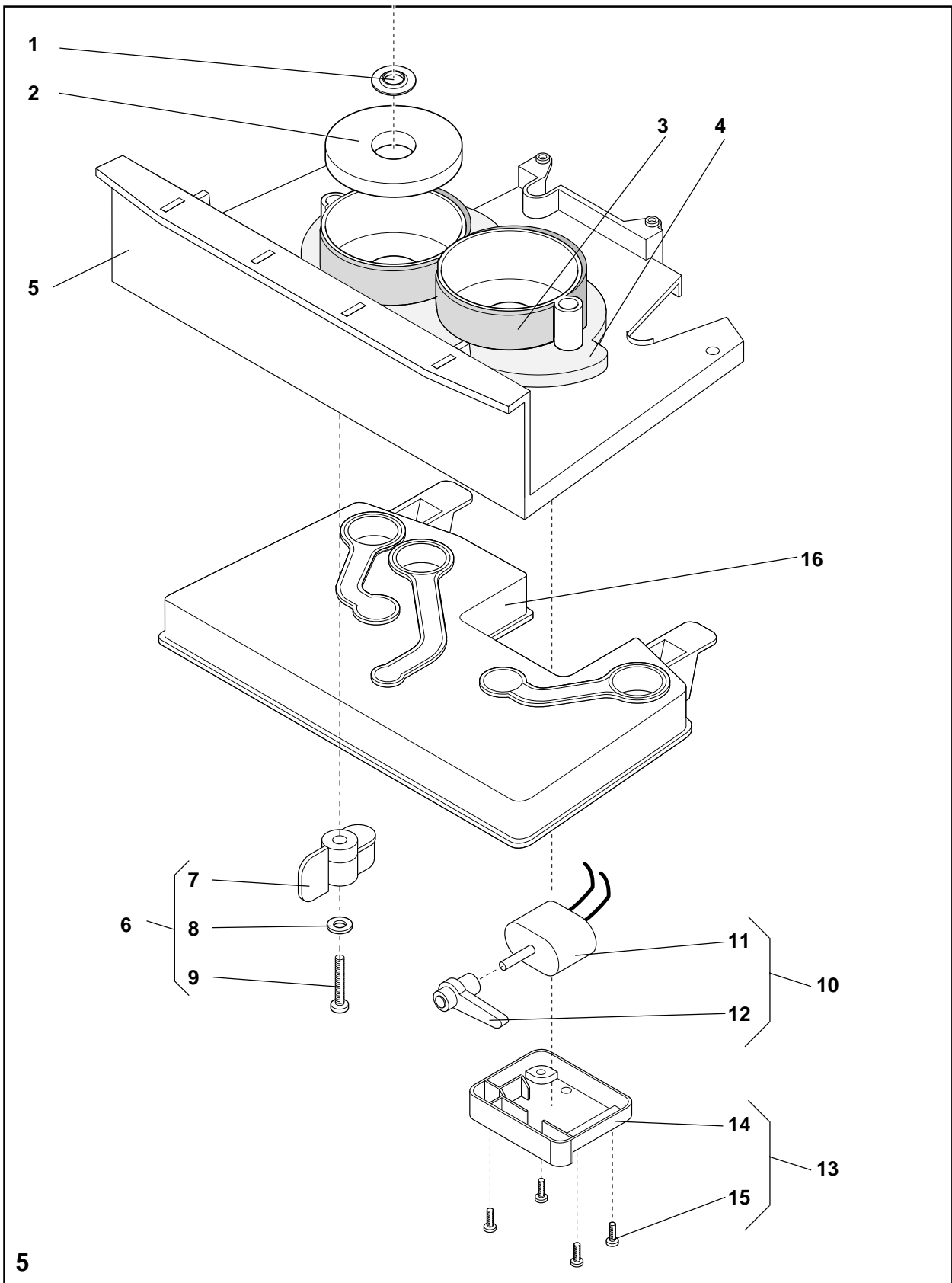
**Cooling compartment assy** (continuation)

<b>1/4</b>	<b>36026600</b>	<b>B2 coil, NSF</b> consisting of:
2/4	A-0791	Screw recessed head M4x6mm
3/4	B-1849	Mounting ring
4/4	F-0526	Coil
-	B-1850	Coil sealing
<b>5/4</b>	<b>36026700</b>	<b>Empty detection, compl. injection moulded</b>
6/4	B-1874	Sealing ring
7/4	36017300	Insulating washer
8/4	36010400	Equalizing ring
9/4	A-0791	Screw recessed head M4x6mm



The cable harnesses included in the assemblies 36026600 B2 coil, and 36026700 empty detection compl., can be disconnected from the cable harness G-1462 BU 21-22, front part, by means of a service tool (chap. 4 Tools) if a spare part is required (see Service Manual).

## 10.2 Spare Parts List





## 10.2 Spare Parts List

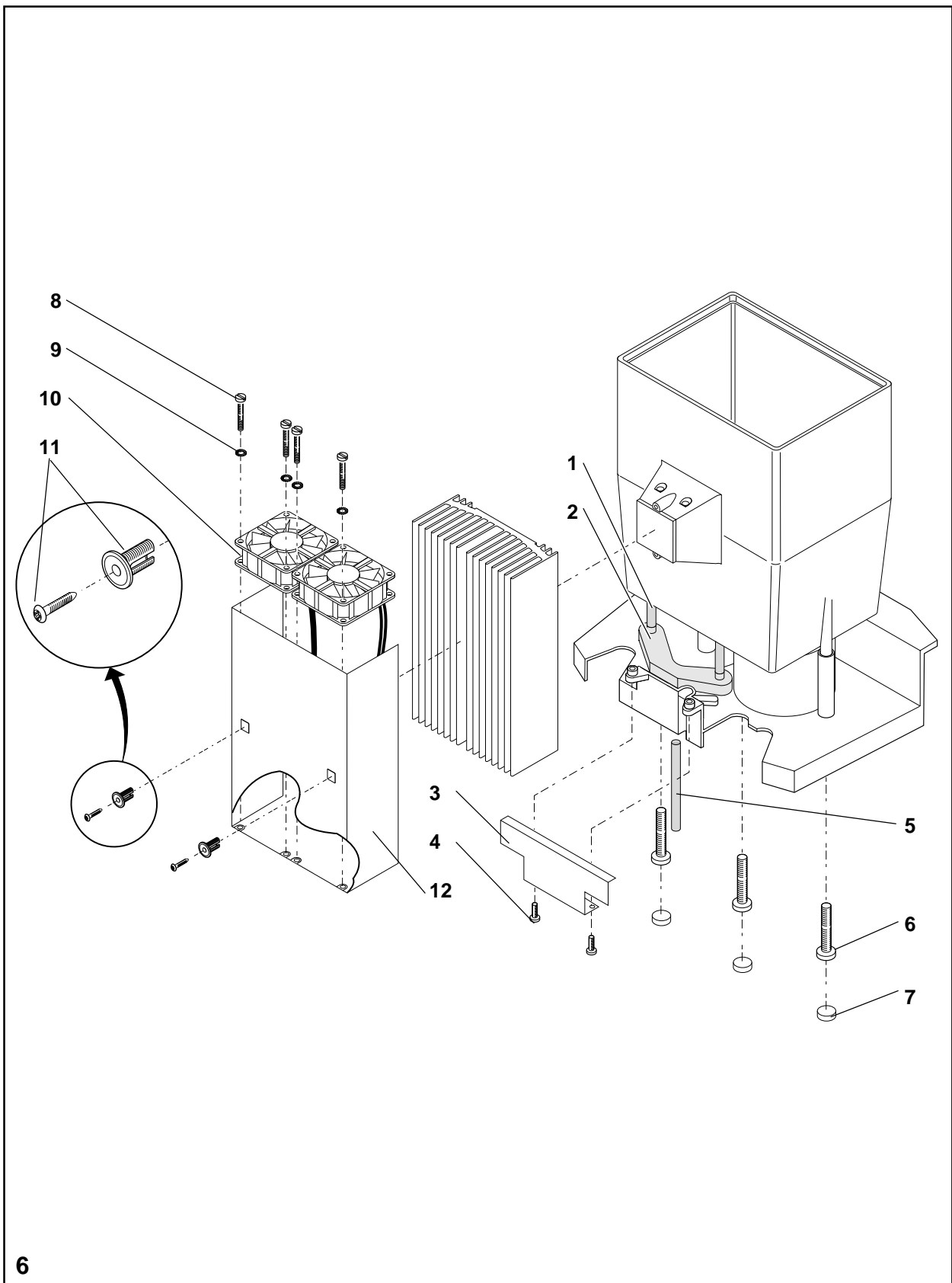
**Pos. Part.-No. Designation**

**Front part, assy US** (continuation)

1/5	36005900	Sealing ring
2/5	B-1909	Isolation ring
3/5	36285000	Isolation tape for console
4/5	36283000	Isolation for console
5/5	B-1910	Console for screened coil
<b>6/5</b>	<b>M-2286</b>	<b>Locking device, assy</b> consisting of:
7/5	B-2010	Sash fastener trough box
8/5	A-0883	Spring washer
9/5	A-0422	Screw EJOT 35x16
<b>10/5</b>	<b>G-2433</b>	<b>Kit motor with lever arm *</b> consisting of:
11/5	G-2432	Motor automatic trough incl. cable harness
12/5	B-1713	Lever arm for motor automatic trough
<b>13/5</b>	<b>G-1421</b>	<b>Kit cap for motor automatic trough incl. screws</b> consisting of:
14/5	B-1881	Cap for motor automatic trough (uses p/n 37004600 for machines after s/n
15/5	A-0421	Screw EJOT 35x12mm 070601297242)
		<b>Additionally</b> <b>(not incl. in a. m. assembly)</b>
16/5	B-2011	Trough box, assy

**\* When replacing the motor in machines with a s/n earlier than 070601297242 also replace the cap, using Kit p/n G-1421 (to accommodate the larger motor).**

## 10.2 Spare Parts List

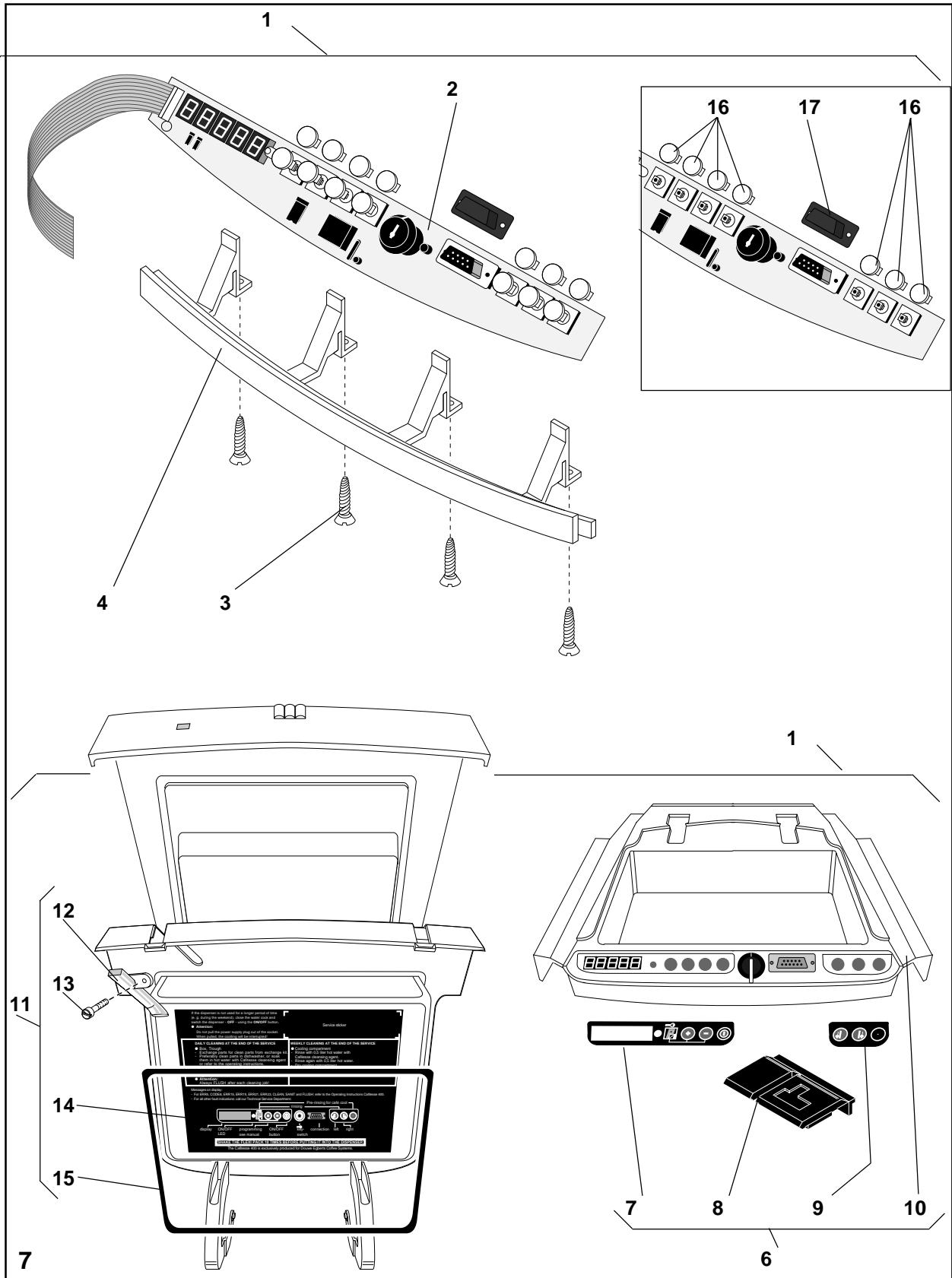


---

## 10.2 Spare Parts List

Pos.	Part.-No.	Designation
<b>Front part, assy US</b> (continuation)		
1/6	G-2849	Hose for collector for condensed water
2/6	B-1596	Collector for condensed water
3/6	G-7121	Cover for ventilator
4/6	A-0421	Screw EJOT 35x12
5/6	36026900	Outlet hose
6/6	A-0849	Screw recessed head M5x40mm
7/6	A-0319	Cap (Washer)
8/6	A-0017	Cheese head screw M3x30mm
9/6	A-0135	Washer 3,2mm
10/6	G-7915	Ventilator, assy
11/6	A-0944	Rivet with internal thread and screw
12/6	36280500	Air channel

# 10.2 Spare Parts List



## 10.2 Spare Parts List

**Pos. Part.-No. Designation**

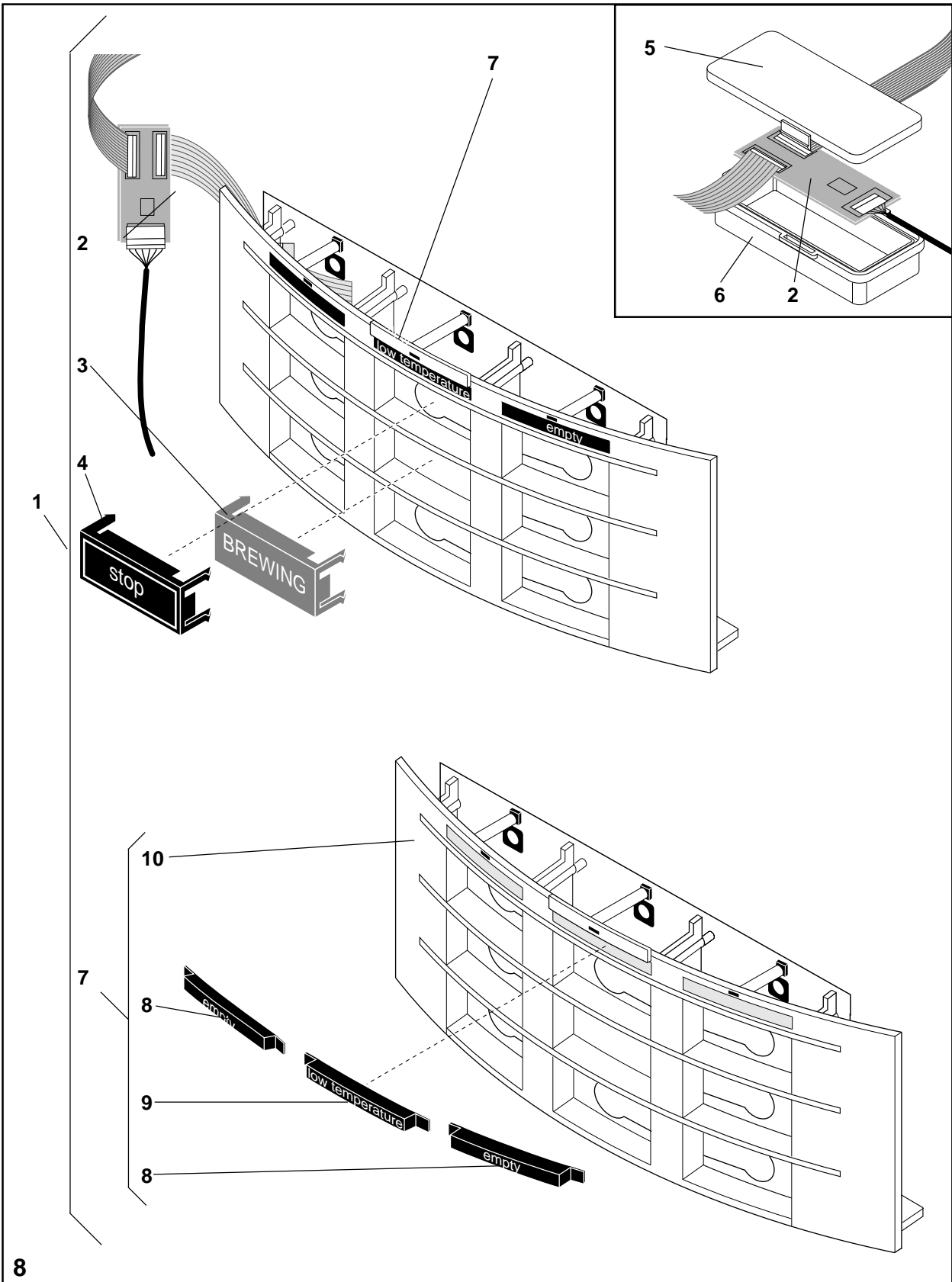
**Front part, assy US** (continuation)

<b>1/7</b>	<b>G-1486</b>	<b>Operating unit top, assy</b> consisting of:
2/7	H-3329	Service control board unit, assy
3/7	A-0421	Screw EJOT 35x12 mm
4/7	B-1885	Support plate for Service control board
-	B-1594	Foil for cap
<b>6/7</b>	<b>G-1422</b>	<b>Kit top for cooling compartment incl. cap and covering foils</b> consisting of:
7/7	B-1263	Covering foil Service Panel, left
8/7	B-1218	Covering cap for Service Device plug/key switch
9/7	B-1264	Covering foil Service Panel, right
10/7	B-1211	Top for cooling compartment
<b>11/7</b>	<b>G-3405</b>	<b>Kit lid cooling compartment premounted</b> consisting of:
12/7	B-1228	Optical light guide for lid cooling compartment
13/7	A-0844	Screw EJOT 30x8mm
14/7	B-2332	Label for cooling compartment lid
-	-	Lid cooling compartment outer part
-	-	Isolation for lid cooling compartment
-	-	Lid cooling compartment inner part
15/7	B-1268	Sealing for lid cooling compartment

**Additionally**  
**(not incl. in a. m. assembly)**

16/7	D-1032	Push button cap
17/7	D-1157	Cap
-	K-0197	Silicon glue

# 10.2 Spare Parts List



## 10.2 Spare Parts List

**Pos. Part.-No. Designation**

**Front part, assy US** (continuation)

**1/8 G-1487 Operating Panel bottom, assy incl. brewing display**

consisting of:

2/8 H-3300 Inter Connector

3/8 G-3403 Brewing display

4/8 G-7285 Stop push button with frame

5/7 36022900 Cover for control board box

6/7 36023000 Tray for control board box

**7/8 G-1488 Kit front panel with snap label, assy**

consisting of:

8/8 G-4248 Snap label incl. text "**empty**"

9/8 G-4247 Snap label incl. text "**low temperature**"

10/8 36026400 Front panel and circuit board mounted with:

- H-3327 Circuit board Push button vers. B

- A-0844 Screw EJOT-PT 30x8mm

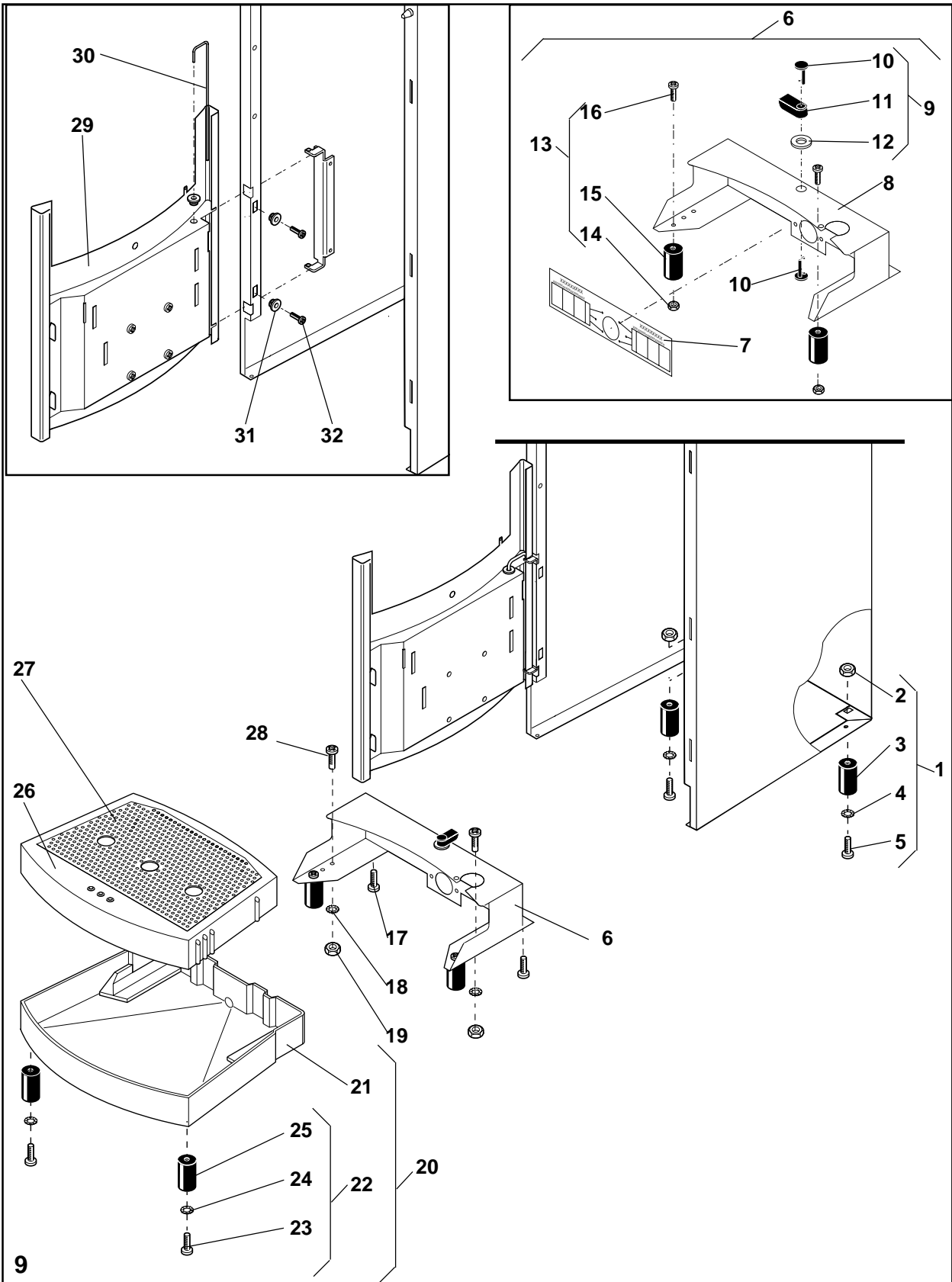
### **Additionally**

(**not incl.** in a. m. assembly)

- G-8220 Snap label incl. text '**vide**'

- G-8221 Snap label incl. text '**température basse**'

# 10.2 Spare Parts List



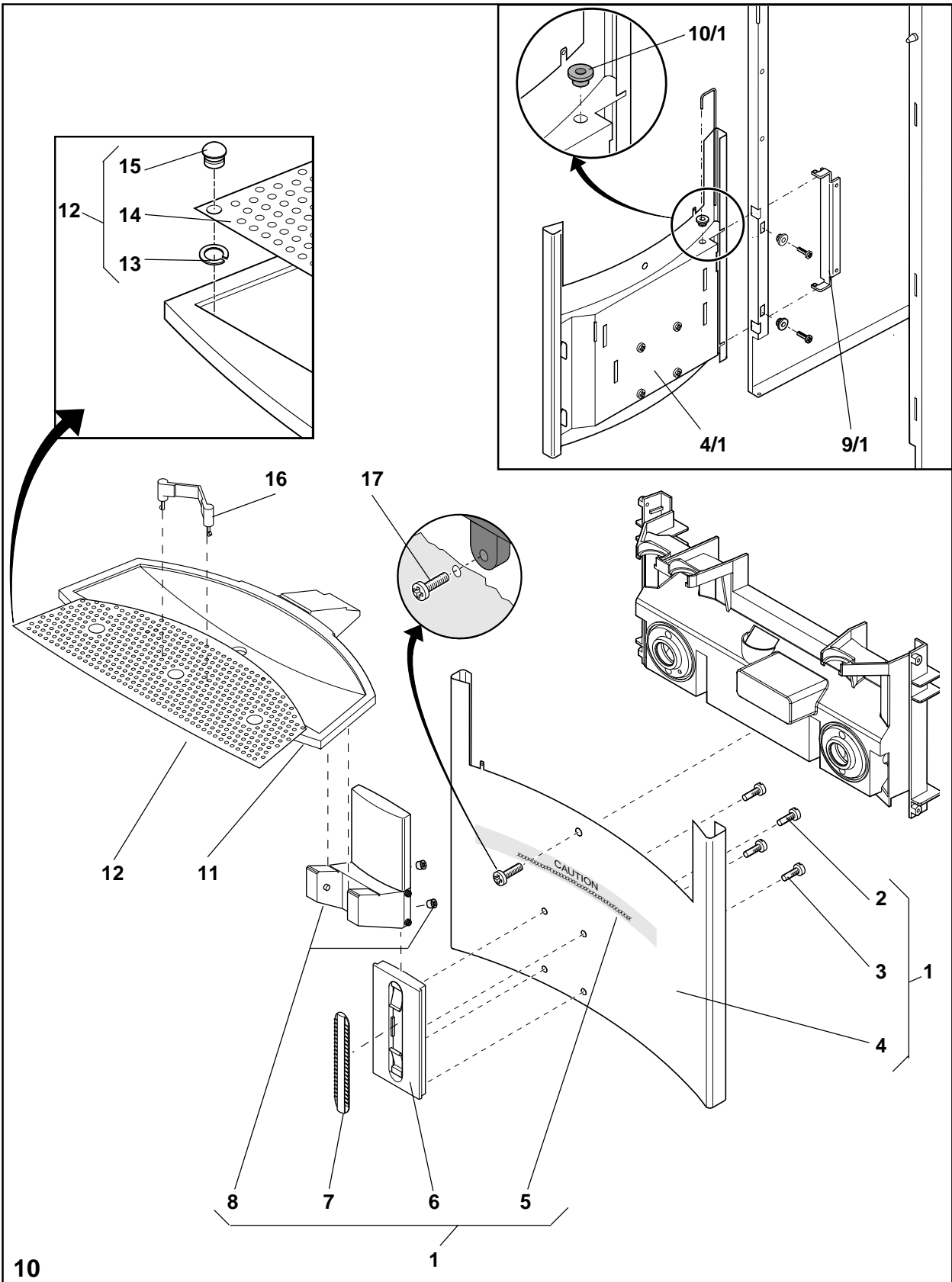
10 - 24 Components



## 10.2 Spare Parts List

Pos.	Part.-No.	Designation
<b>1/9</b>	<b>G-1425</b>	<b>Kit foot for Housing, assy</b> consisting of:
2/9	A-0119	Hexagon nut M4
3/9	B-1230	Foot 25mm
4/9	A-0136	Lock washer 4,3mm
5/9	A-0169	Screw recessed head M4x12mm
<b>6/9</b>	<b>35267100</b>	<b>Base stay mounted CFT 013</b> consisting of:
7/9	35266900	Label heating CFT 013 J 200 V
8/9	36274300	Base stay
-	B-2346	Sticker "Caution" for base stay
<b>9/9</b>	<b>G-1436</b>	<b>Kit fastening material for sash fastener</b> consisting of:
10/9	A-0872	Rivet (2 pcs)
11/9	B-1225	Sash fastener
12/9	A-0147	Washer 8mm
<b>13/9</b>	<b>G-1426</b>	<b>Kit foot for base stay, assy</b> consisting of:
14/9	A-0119	Nut (self locking)
15/9	B-1230	Foot 25mm
16/9	A-0169	Screw recessed head M4x12mm
17/9	A-0791	Screw recessed head M4x6mm
18/9	A-0136	Washer 4,3mm
19/9	A-0103	Hexagon nut M4
<b>20/9</b>	<b>G-2442</b>	<b>Drip tray assy</b> consisting of:
21/9	-	Drip tray
<b>22/9</b>	<b>G-1427</b>	<b>Kit foot for drip tray, assy</b> consisting of:
23/9	A-0422	Screw EJOT KB 35x16mm
24/9	A-0135	Washer 3,2mm
25/9	B-1230	Foot 25mm
26/9	36009200	Pot carrier
27/9	36009500	Drip grid pot
28/9	A-0791	Screw recessed head M4x6
29/9	36023700	Splash panel, assy (see page 10-27)
30/9	36021200	Hinge rod
31/9	36024100	Shouldered washer
32/9	09187710	Screw M4x8mm

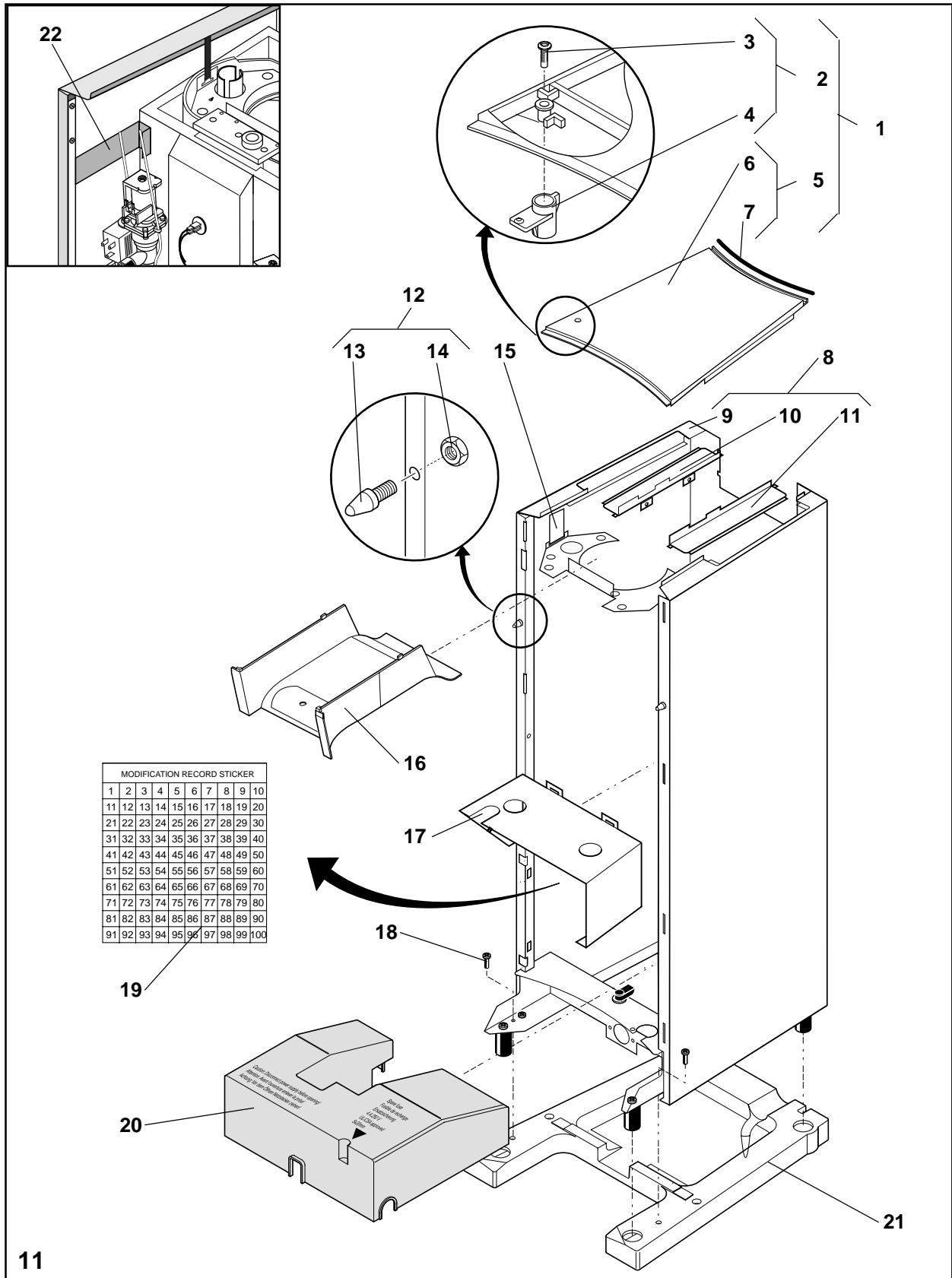
# 10.2 Spare Parts List



## 10.2 Spare Parts List

Pos.	Part.-No.	Designation
<b>1/10</b>	<b>36023700</b>	<b>Splash panel, assy</b> consisting of:
2/10	36006300	Screw EJOT-PT 35x12mm
3/10	A-0422	Schraube EJOT-PT 35x16mm
4/10	-	Splash panel
5/10	B-1260	Label 'Caution'
6/10	36009000	Adjusting plate
7/10	36009100	Locking device
8/10	36009800	Adjusting arm incl. fixing device
9/10	36021600	Hinge suspension
10/10	D-0241	Securing element for hinge rod
<b>11/10</b>	<b>36010900</b>	<b>Cup carrier, assy</b>
<b>12/10</b>	<b>36011500</b>	<b>Drip grid, assy</b> consisting of:
13/10	36010600	Retaining ring
14/10	36009400	Drip grid cup
15/10	36010300	Magnet for grid, assy (2 pcs)
		<b>Additionally</b> ( <b>not incl.</b> in a. m. assembly)
16/10	36009700	Stopper for cup, red
17/10	36052200	Screw M4x6mm with coned half dog (fastening splash panel at motor housing, 1 pcs)
-	36052200	Screw M4x6mm with coned half dog (fastening MCB housing at splash panel, 1 pcs)

# 10.2 Spare Parts List

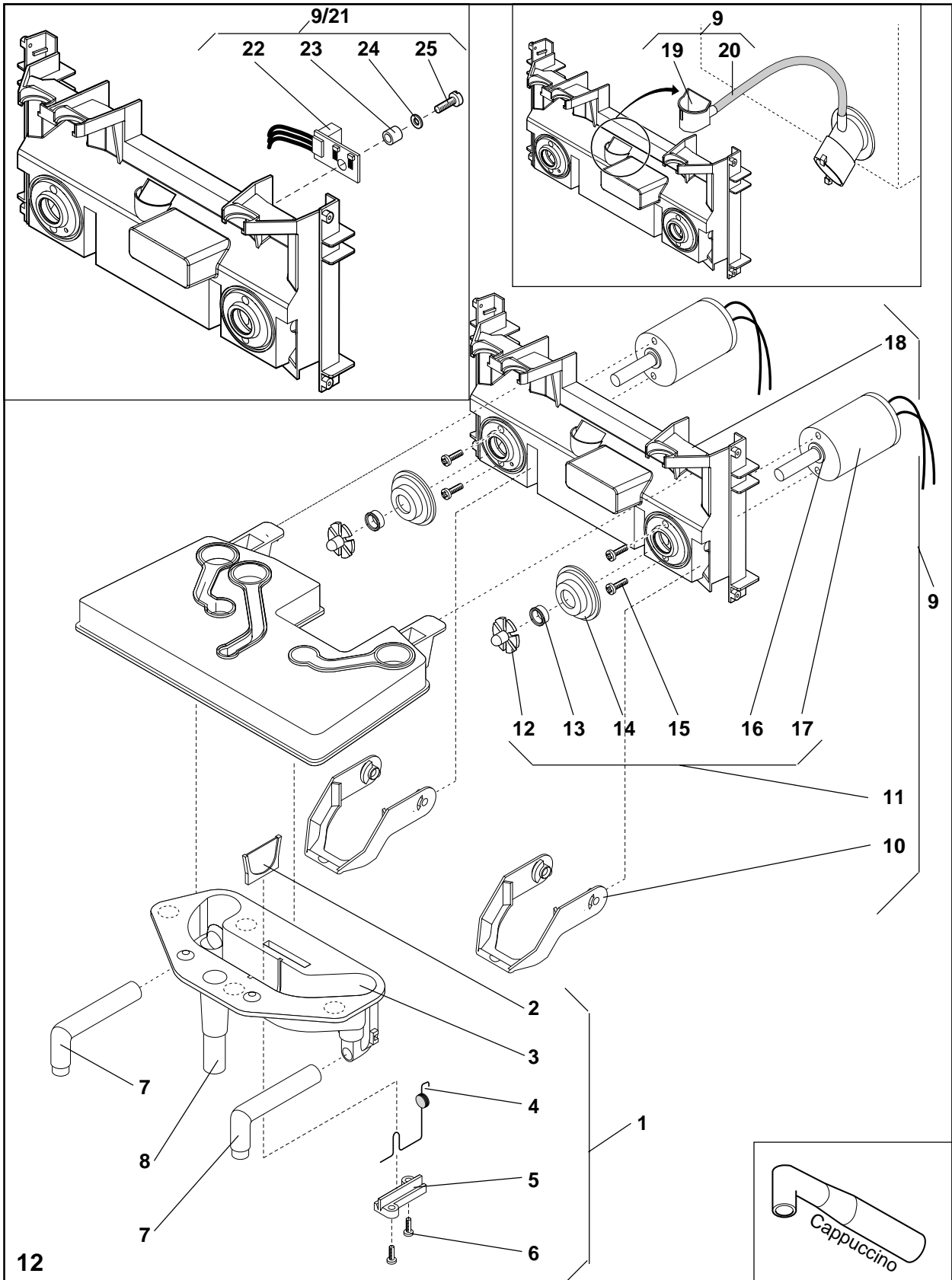


11

## 10.2 Spare Parts List

Pos.	Part.-No.	Designation
1/11	<b>G-7144</b>	<b>Housing cover assy</b> consisting of:
2/11	<b>G-1431</b>	<b>Kit bar for housing cover</b> consisting of:
3/11	A-0948	Screw EJOT K60x25
4/11	B-2017	Bar
5/11	<b>G-1432</b>	<b>Housing cover incl. sealing</b> consisting of:
6/11	-	Housing cover
7/11	B-1268	Sealing for housing cover
8/11	<b>36287401</b>	<b>Housing, assy</b> consisting of:
9/11	-	Housing
10/11	G-7142	Insert left (use p/n 36284300 after s/n 080601298174)
11/11	G-7143	Insert right (use p/n 36284500 after s/n 080601298174)
12/11	<b>G-1430</b>	<b>Kit Guiding bolt</b> consisting of:
13/11	G-1003	Guiding bolt
14/11	A-0119	Nut M4 self locking
15/11	G-6705	Hook suspension plate
16/11	B-1216	Exhausting air channel
17/11	36051200	Boiler console, assy
-	35021400	Lever cap, boiler console
18/11	35215200	Screw EJOT-PT 40x16
19/11	B-1389	Modification record sticker
20/11	36031301	Power supply unit cover printed
-	35220200	Fuse 4AT 250V 5x20 UL/CSA
21/11	36050800	Foot NSF 014/US
22/11	36286200	Support for boiler (2 pcs)

# 10.2 Spare Parts List



## 10.2 Spare Parts List

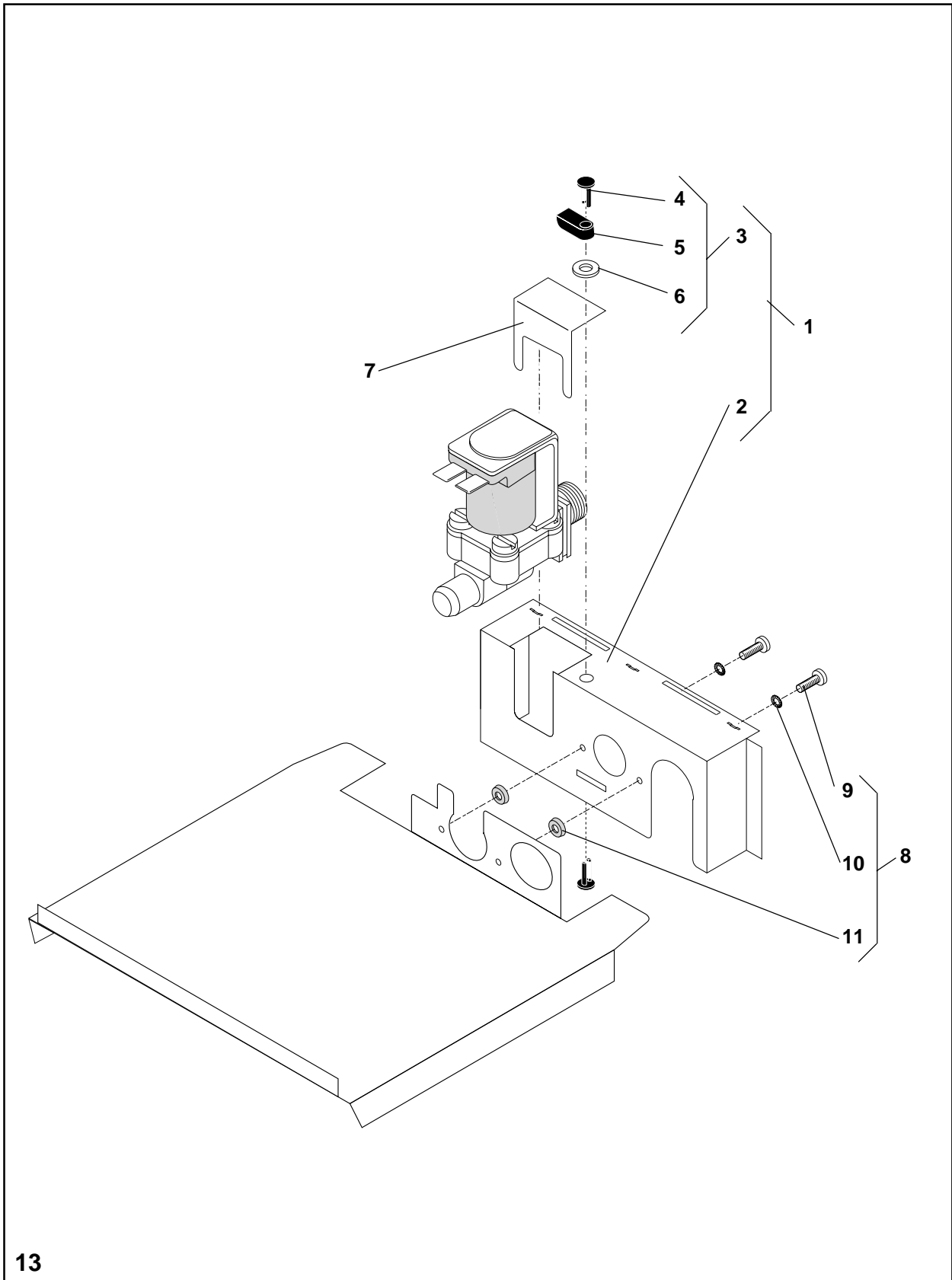
Pos.	Part.-No.	Designation
<b>1/12</b>	<b>G-6147</b>	<b>Combined trough 2 whippers, assy (use G6143 for trough, no whippers)</b> consisting of:
2/12	B-1534	Automatic diaphragm
3/12	B-2013	Combined trough 2 whippers
4/12	G-0471	Lever wire f. diaphragm, assy
5/12	B-1538	Sealing wedge f. autom. diaphragm
6/12	36012800	Screw EJOT KB 35x10mm
7/12	B-1620	Outlet Espresso, assy
8/12	B-1856	Delivery spout, assy
<b>9/12</b>	<b>G-1489</b>	<b>2 whippers mounted</b> consisting of:
10/12	B-1545	Lever for whipper
-	G-1476	Cable harness 2 whippers assy
<b>11/12</b>	<b>G-1435</b>	<b>Kit (2) whipper motors incl. impeller and sealing</b> consisting of:
12/12	B-1547	Impeller
13/12	B-1708	Shaft seal
14/12	36115400	Motor sealing
15/12	A-0002	Cheese head screw M3x6mm
16/12	B-1646	Centrifugal disc for motor
17/12	-	Whipper motor, assy
18/12	36018600	Motor housing
19/12	36018700	Motor housing funnel
20/12	36027000	Hose
<b>21/12</b>	<b>G-1434</b>	<b>Kit motor housing incl. board for sensor</b> consisting of:
22/12	H-3246	Board for sensor
23/12	B-1589	Distance roll
24/12	A-0131	Washer 5,3mm
25/12	A-0844	Screw EJOT 30x8mm
		<b>Additionally</b>
-	A-0443	( <b>not incl.</b> in a. m. assembly) Screw EJOT 35x10mm (fastening motor housing at housing)



If motor or sealing will be replaced the impeller and the shaft seal has to be ordered additionally.

B-1544 Outlet Cappuccino can be ordered as a separate spare part.

## 10.2 Spare Parts List



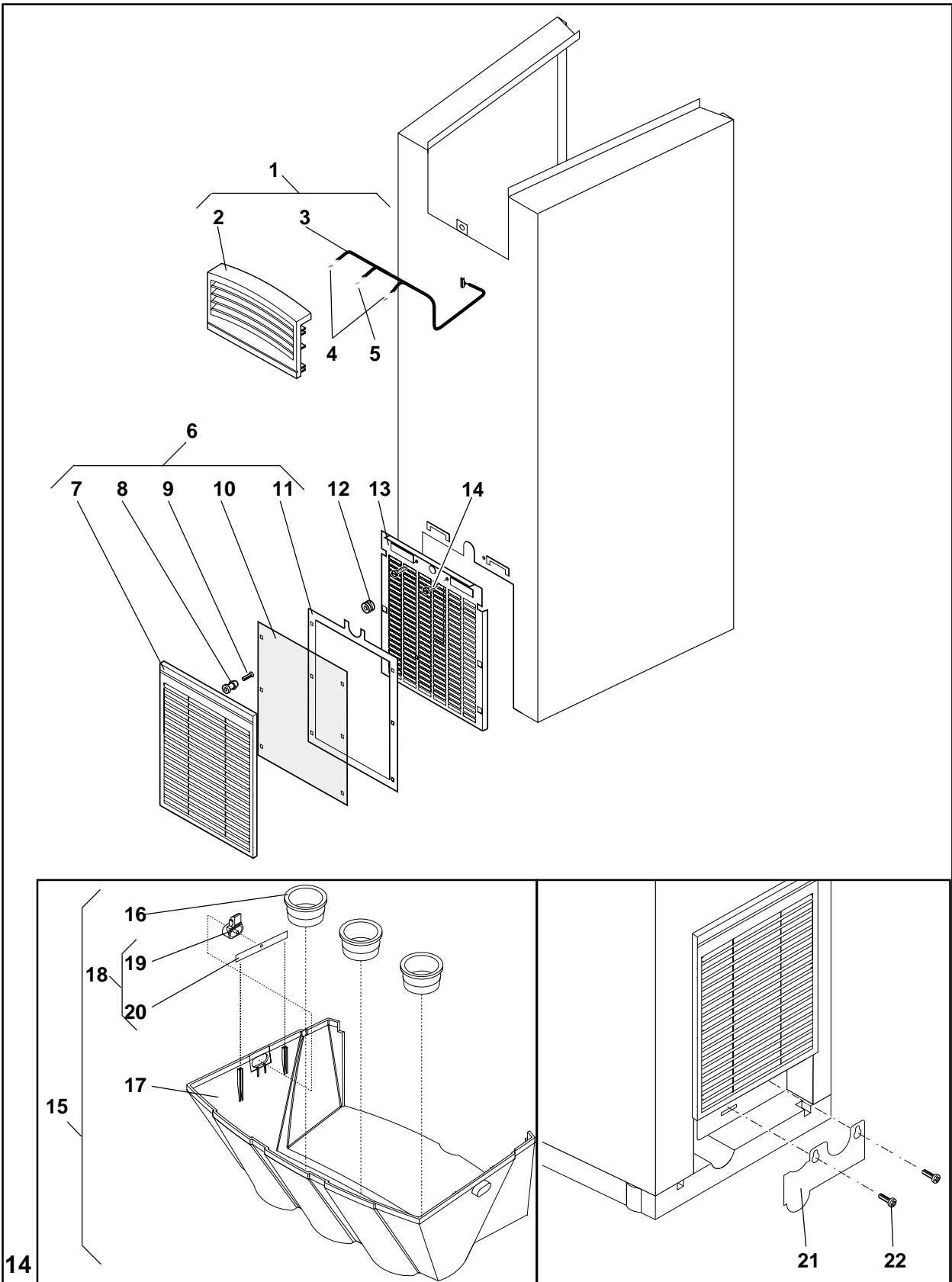
13



## 10.2 Spare Parts List

Pos.	Part.-No.	Designation
1/13	36053900	<b>Connecting console, assy US</b> consisting of:
2/13	36277600	Connecting console
-	B-1758	Label backflow protection
3/13	<b>G-1436</b>	<b>Kit fastening material for sash fastener</b> consisting of:
4/13	A-0872	Rivet (2 pcs)
5/13	B-1225	Sash fastener
6/13	A-0147	Washer 8mm
		<b>Additionally</b> (not incl. in a. m. assembly)
7/13	G-6116	Valve clamp for F-0527 inlet valve (use p/n 36280400 for valve 36256000)
8/13	<b>G-1437</b>	<b>Kit fastening material for connecting console</b> consisting of:
9/13	A-0169	Screw recessed head M4x12mm
10/13	A-0136	Washer 4,3mm
11/13	A-0670	Protective washer

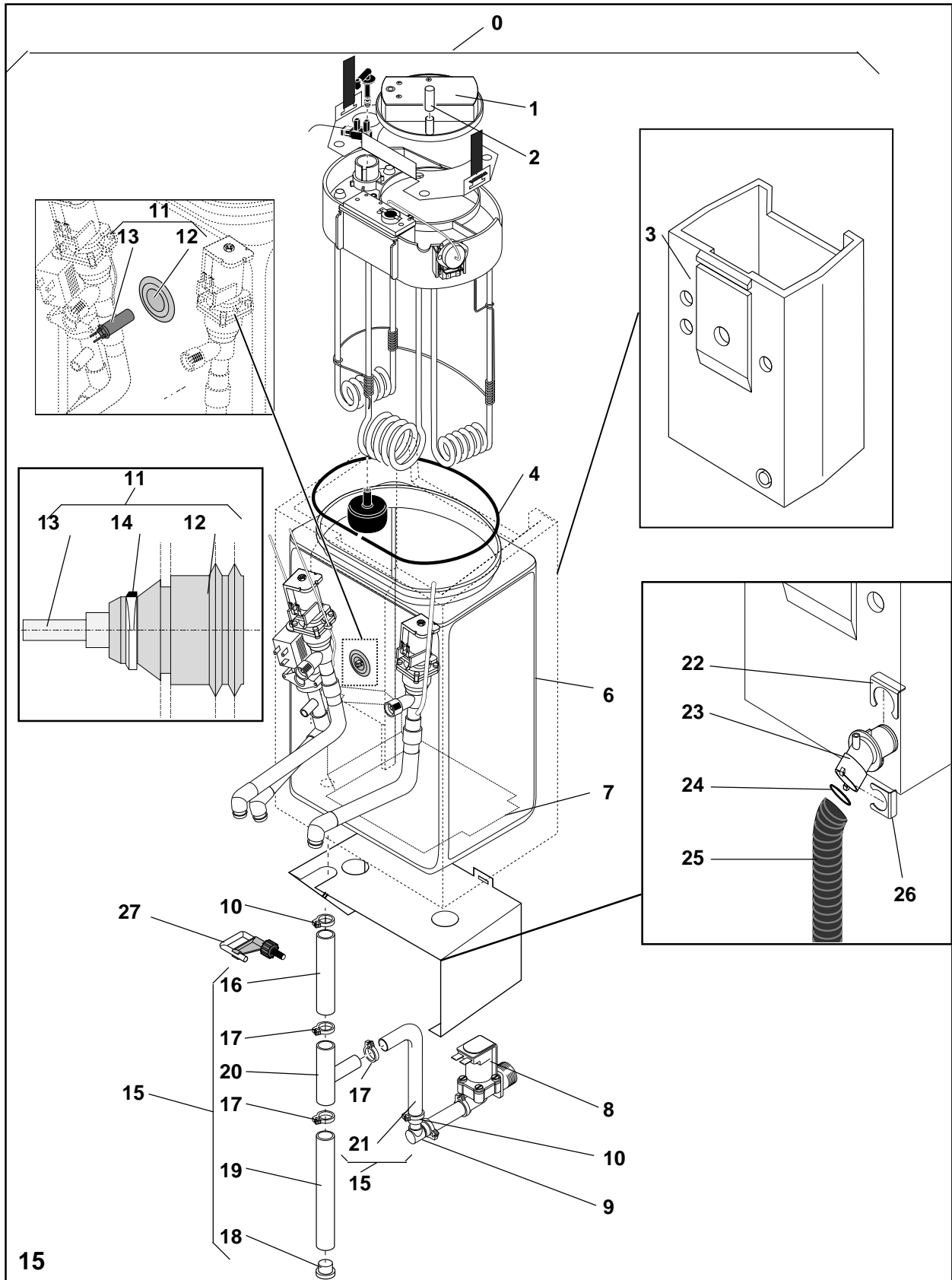
# 10.2 Spare Parts List



## 10.2 Spare Parts List

Pos.	Part.-No.	Designation
<b>1/14</b>	<b>G-2453</b>	<b>Exhausting air grid, assy</b> consisting of:
2/14	G-5149	Exhausting air grid, printed (use B-1094 after s/n 080601298174)
3/14	G-6916	Cable harness BU23
4/14	D-1037	LED red
5/14	D-1039	LED green
<b>6/14</b>	<b>36051900</b>	<b>Kit Filter grid mounted</b> consisting of:
7/14	36033500	Filter grid
8/14	35170500	Locking bolt
9/14	35188300	Screw EJOT 30x10
10/14	36051300	Filter cloth
11/14	36281000	Frame for fixing
12/14	36052000	Protection sleeve
13/14	36280900	Ventilation sheet
14/14	A-0847	Screw recessed head M3x6mm
<b>15/14</b>	<b>36281500</b>	<b>Shielding cover, assy</b> consisting of:
16/14	36000400	Ornamental ring full circle (on newer assemblies with half rings use p/n 36089600)
17/14	-	Shielding cover
<b>18/14</b>	<b>G-1451</b>	<b>Fastening for shielding cover</b> consisting of:
19/14	B-1526	Knob
20/14	B-1527	Pressure spring
		<b>Additionally</b> (not incl. in a. m. assembly)
21/14	36280800	Outlet cover
22/14	A-0791	Screw recessed head M4x6mm

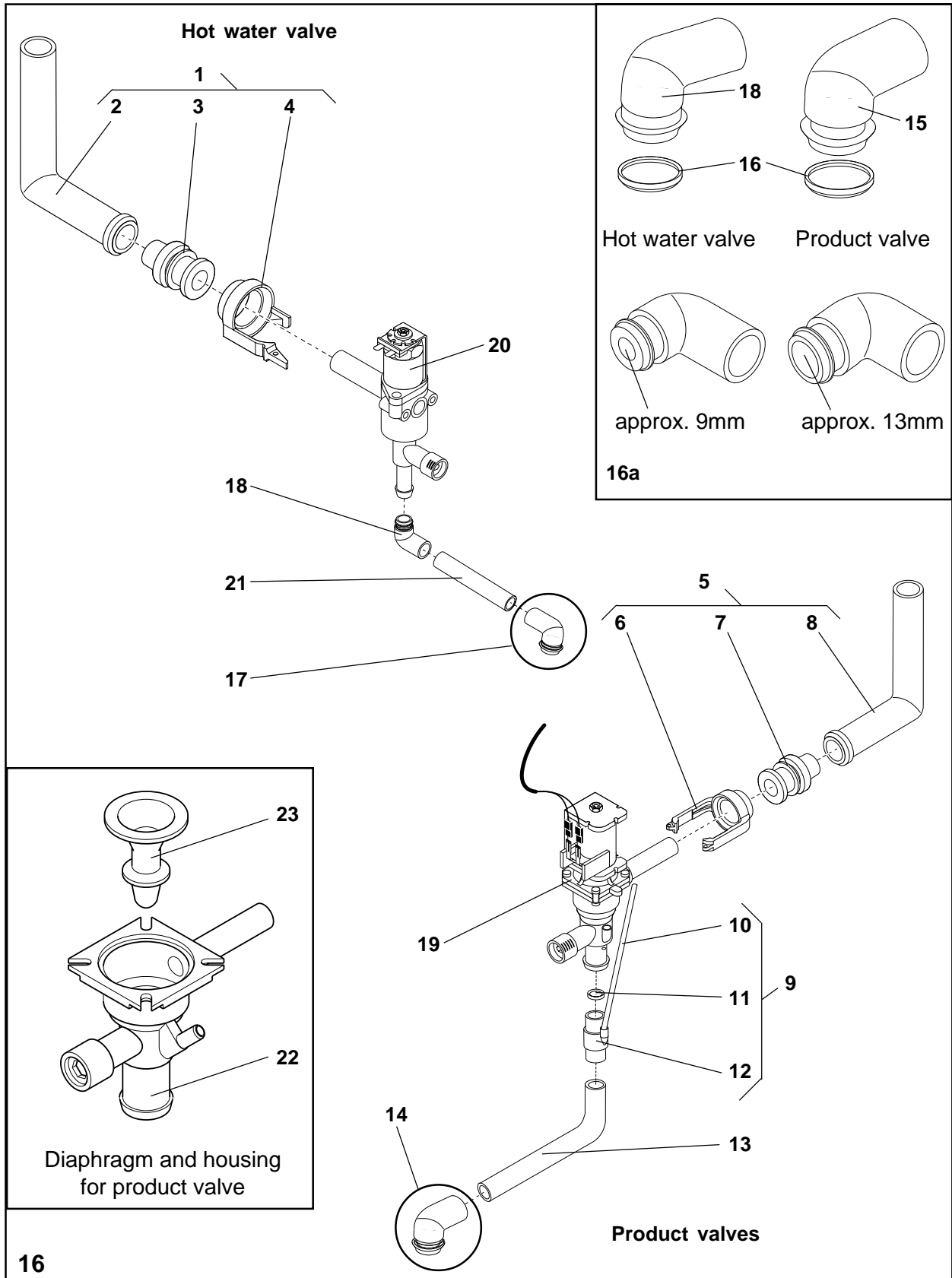
# 10.2 Spare Parts List



## 10.2 Spare Parts List

Pos.	Part.-No.	Designation
<b>0/15</b>	<b>36183900</b>	<b>Boiler, assy</b> consisting of:
1/15	35003600	Insert for boiler lid
2/15	G-6708	Piece of hose 30mm
<b>3/15</b>	<b>36138502</b>	<b>Boiler insulation Cafitesse 500</b>
-	B-2333	Label wiring of valves
4/15	<b>35258900</b>	Cover sealing (use p/n A-0797 until current stocks are depleted)
<b>6/15</b>	<b>36182700</b>	<b>Boiler housing</b>
7/15	G-5139	Distributor sheet
8/15	F-0527	Inlet valve (for hot water supply), valve p/n 36256000 was used after s/n 080601298174)
9/15	35012301	Bracket wrap and for cold water supply). (see page 33 for
10/15	D-0728	Cable binder correct mounting clamp for each type of valve)
<b>11/15</b>	<b>G-2488</b>	<b>Kit temperature sensor incl. gasket</b> consisting of:
12/15	36006600	Gasket temperature sensor
13/15	F-0456	Temperature sensor
14/15	36017000	Metal sheet ring
<b>15/15</b>	<b>G-1490</b>	<b>Kit outlet hose</b> consisting of:
16/15	35242600	Silicone hose 13x2.5x145
17/15	D-0257	Cable binder
18/15	A-0324	Outlet plug
19/15	35242700	Silicone hose 13x2.5x800
20/15	35242900	T-piece
21/15	G-2104	Hose
22/15	36024300	Securing element
23/15	36019900	Overflow adapter
		<b>Additionally</b> (not incl. in a. m. assemblies)
24/15	36025800	O-Ring
25/15	36027300	Overflow hose
26/15	36024400	Hose securing element
27/15	39200215	Hose clip

# 10.2 Spare Parts List



## 10.2 Spare Parts List

Pos.	Part.-No.	Designation
<b>Boiler, assy</b> (continuation)		
1/16	35259100	<b>Kit Hot water valve</b> consisting of:
2/16	36183200	<b>Inner elbow (hot water valve)</b>
3/16	36176000	<b>Valve sealing hot water valve</b>
4/16	36027900	Valve clamp
5/16	35259000	<b>Kit Product valve</b> consisting of:
6/16	36019600	Valve clamp
7/16	36175900	<b>Valve sealing product valve</b>
8/16	36183100	<b>Inner elbow (product valve)</b>
9/16	NLA	<b>Kit Nozzle - See Pgs 39a &amp; 39b for details on NLA parts</b> consisting of:
10/16	NLA	Aeration hose 220mm
11/16	NLA	Nozzle
12/16	NLA	Support for nozzle
13/16	NLA	Outlet product valve
14/16	36031900	<b>Outlet elbow assy product valve</b> consisting of:
15/16	36029500	Outlet elbow product valve
16/16	36017000	Ring
17/16	36032000	<b>Outlet elbow assy water valve</b> consisting of:
18/16	36029600	Outlet elbow hot water valve
16/16	36017000	Ring
19/16	36023300	Product valve
20/16	37011900	Hot water valve
21/16	NLA	Piece of tube
<b>Additionaly</b> ( <b>not incl.</b> in a. m. assembly)		
22/16	F-0916	Spare part housing for product valve
23/16	F-0560	Spare part diaphragm for product valve

## SERVICE INFORMATION

**NEW SILICONE HOSES FOR OUTLET VALVES**

Valid for types: Cafitesse 500

From serial number: 100701321629

Components concerned: Part no. Designation

no longer installed in all boiler assemblies:

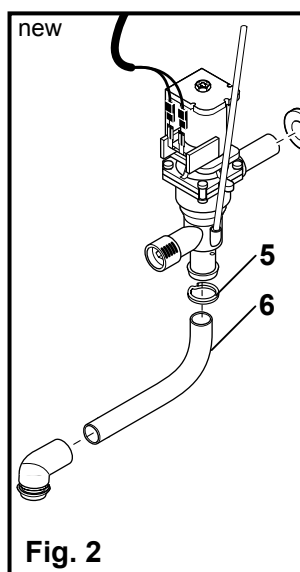
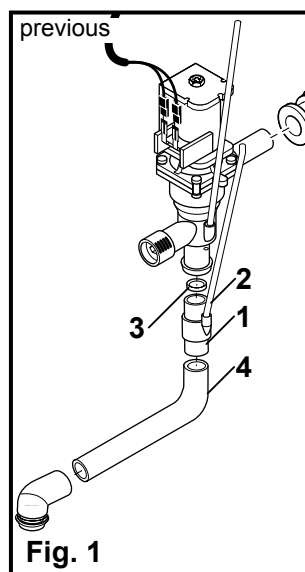
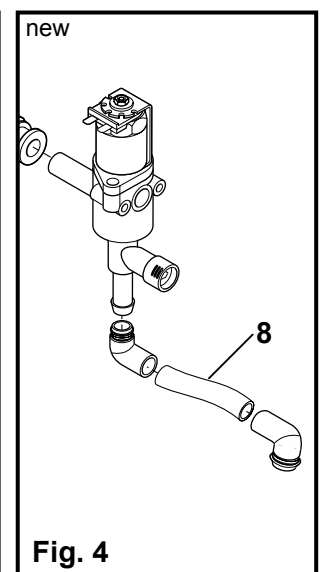
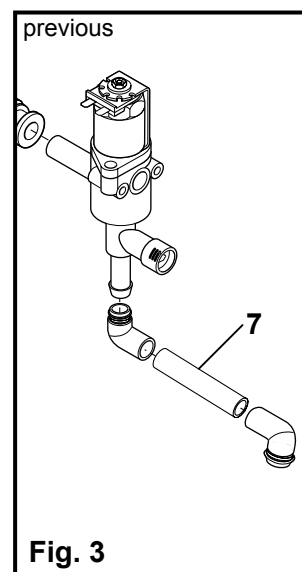
B-1409	Support for nozzle (1, Fig. 1)
35026200	Aeration hose (2, Fig. 1)
36000200	Nozzle (3, Fig. 1)
36000100	Outlet product valve (4, Fig. 1), no longer available as spare part
B-1531	Piece of tube (7, Fig. 3), no longer available as spare part

installed instead in all boiler assemblies, new spare parts:

<b>37008700</b>	<b>Split ring (5, Fig. 2)</b>
<b>37008800</b>	<b>Silicone hose 85 mm (8, Fig. 4)</b>
<b>37008900</b>	<b>Silicone hose 150 mm (6, Fig. 2)</b>

additionally, new:

<b>37009700</b>	<b>Kit outlet product valve</b>
36031900	Outlet elbow product valve assy
36029500	Outlet elbow product valve
36017000	Corrosion resistant washer 19mm
37008700	Split ring
37008900	Silicone hose 150mm
<b>37009800</b>	<b>Kit outlet hot water valve</b>
36029600	Outlet elbow hot water valve
36032000	Outlet elbow hot water valve assy
36017000	Corrosion resistant washer 19mm
36029600	Outlet elbow hot water valve
37008800	Silicone hose 85mm

**Product valve****Hot water valve**

TS-2004-0123



## SERVICE INFORMATION

### Modification :

From the above mentioned serial number on flexible silicone hoses (**6, 8**) are installed at the outlets of the hot water valve and the product valves instead of the previous stainless steel tubes (**4, 7**) in all Cafitesse 500 dispensers. A split ring (**5**) is put over the outlet hose of each product valve, which makes a more precise adjustment of flow possible. The previous parts support for nozzle (**1**), nozzle (**3**), and aeration hose (**2**) are no longer needed at the product valve. (Fig. 1-4)

From calendar week 44 on all boiler spare part assemblies are equipped with the new silicone hoses and the split ring (**5, 6**, fig. 2 and **8**, fig. 4).

The new silicone hoses and the split ring can be ordered as spare parts under the above mentioned part numbers.

Additionally two new kits are available, which include all the necessary outlet parts for the product valve (kit 37009700) and for the hot water valve (kit 37009800).

The previous parts support for nozzle (**1**), nozzle (**3**) and the aeration hose (**2**) can be ordered further on as spare parts for dispensers up to the above mentioned serial number. (Fig. 1)

The previous outlet product valve (**4**, fig. 1) and piece of tube (**7**, fig. 3) are no longer available as spare parts.

### Reason:

Product improvement and optimization.

It happened, that water from the boiler outlets dripped on top of the trough box. This is prevented by the usage of the new, more flexible silicone hoses.

### Interchangeability:

In dispensers up to the above mentioned serial number you can install the new silicone hose 85mm instead of the previous piece of tube at the hot water valve.

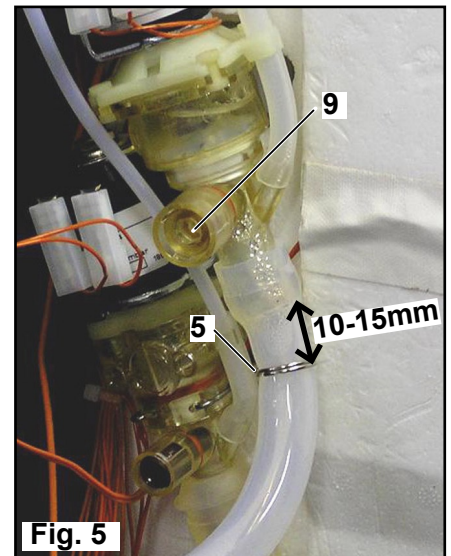
When you replace the previous outlet product valve by the new silicone hose 150mm with split ring, remove the support for nozzle, the nozzle, and the aeration hose as well.

### Note:

When you install the silicone hose at the outlet of the product valve, do not forget to put the split ring (**5**) onto the hose. Position the split ring about 10-15mm below the outlet connection of the valve, see figure 5.

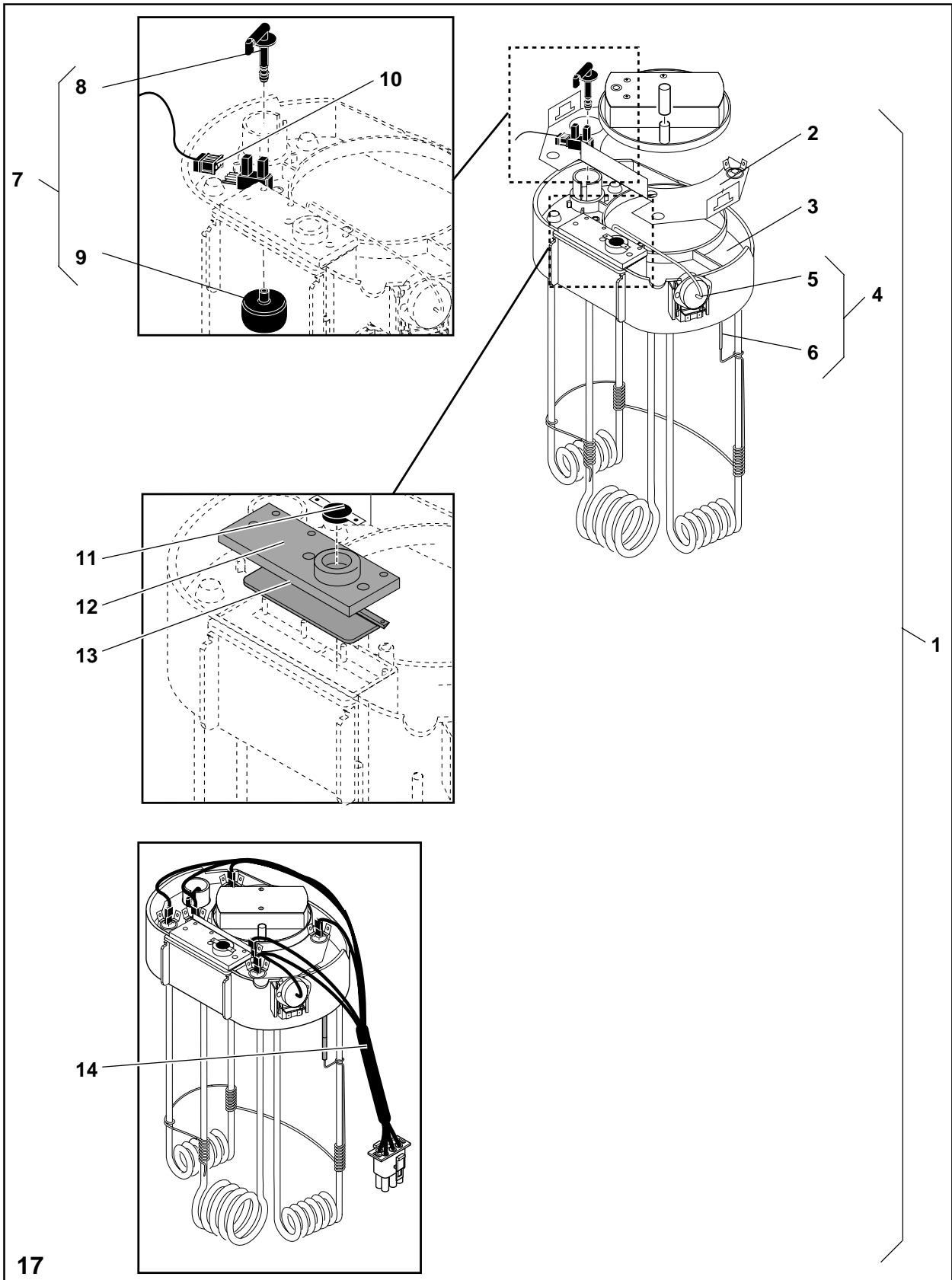
Adjust the product valve as follows (fig. 5):

1. Turn the throttle screw (**9**) of the valve in that way, that it is flush with the edge of its housing.
2. Turn the throttle screw 2,5 clockwise rotations into the housing.



**Fig. 5**

# 10.2 Spare Parts List



## 10.2 Spare Parts List

Pos.	Part.-No.	Designation
<b>Boiler, assy</b> (continuation)		
<b>1/17</b>	<b>36183000</b>	<b>Boiler cover, mounted incl. cable harness heating</b> consisting of:
2/17	G-5137	Locking plate heating element UL/CSA + earthing
3/17	-	Boiler cover
5/17	-	Temperature limiter LM7 (see also Kit temperature limiter LM7)
6/17	-	Protective hose (see also Kit temperature limiter LM7)
<b>7/17</b>	<b>35259200</b>	<b>Float support, assy</b> consisting of:
8/17	B-2324	Float support
<b>9/17</b>	<b>36178700</b>	<b>Float</b>
10/17	36238500	Optical sensor - <b>(use kit M-6431 prior to s/n 050101205769, also see pgs 41a &amp; 41b)</b>
11/17	F-0519	Temperature limiter overflow
12/17	35003300	Overflow lid
13/17	35003200	Overflow trap
14/17	G-7964	Cable harness heating
-	35034700	Isolating hose (6 pcs)
<b>4/17</b>	<b>35232700</b>	<b>Kit temperature limiter LM7 Ni, UL (use M-6319 until current stock is depleted)</b> consisting of:
5/17	35224600	Temperature limiter LM7 Ni, UL (use F-0333 until current stock is depleted)
6/17	G-2853	Protective hose
-	B-2293	Retrofit instructions

## SERVICE INFORMATION

**LEVEL SENSOR**

Valid for type: CFT 500

From machine number: 050101205769 for approx. two months

Components concerned: All delivered machines, spare part boiler and spare part boiler cover

	<u>Part No.</u>	<u>Designation</u>
<b>temporarily not available</b>	D-1035	level sensor (5, Fig. 1)
<b>assembled and available as spare part instead</b>	<b>M-6431</b>	kit float switch compl. (Fig. 2) consisting of:
	-	level sensor premounted (1, Fig. 1,2) with
	-	switch plate (2) and
	-	adapter cable harness (3)
	-	tapping screw (2 x) (4)
	-	cable binder (2 x)
	-	SI - mounting instruction level sensor

Modification:**Delivered machines and spare part assemblies:**

From the machine number mentioned above, the following machines will be equipped with a new level sensor of a different supplier for approx. two months:

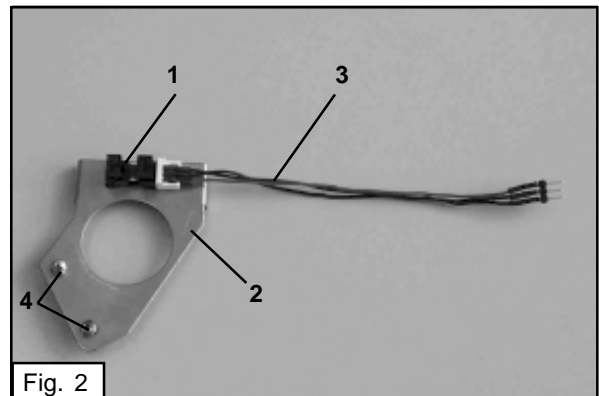
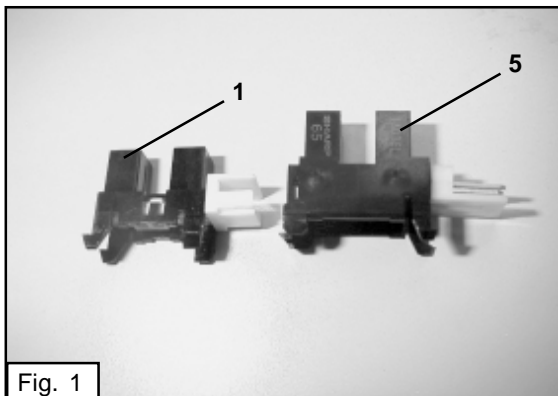
- all Cafitesse 500 machines
- all spare part boilers
- all spare part boiler covers

**Spare parts:**

For this time period, the new level sensor is exclusively available in a kit (M-6431) together with the corresponding mounting parts only (switch plate, adapter cable harness, tapping screws). (Fig. 2)

Reason:

Delivery problems with the level sensor D-1035.



ÄA 4876

## SERVICE INFORMATION

### Replaceability:

When the level sensor D-1035 will be replaced by the new level sensor it must be assembled together with the corresponding mounting parts (Kit M-6431). When the level sensor D-1035 will be available again as a spare part (approx. August 2001) the concerned components, switch plate, adapter cable harness and screws, must be removed again if the sensor is to be replaced.

### Assembly:

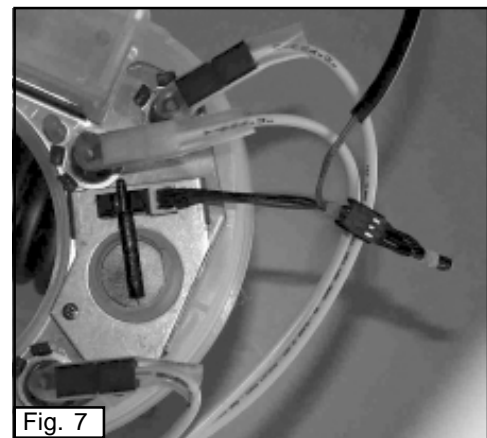
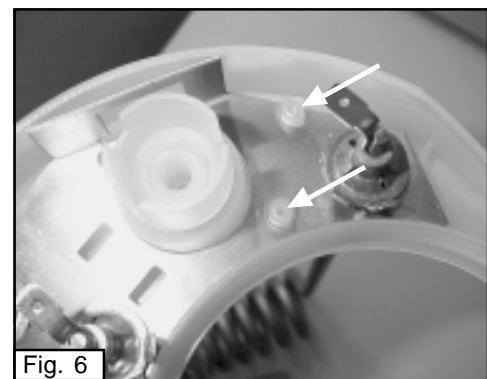
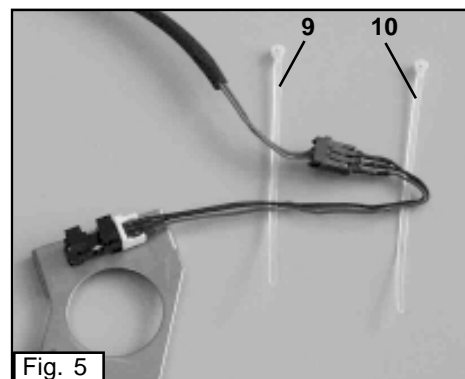
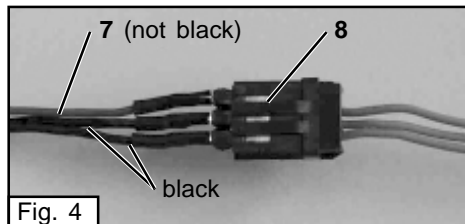
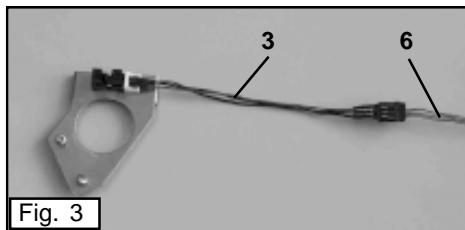
Disassembly of the level sensor D-1035: see service manual, chap.5A.2.

#### **Assembly of the new level sensor:**

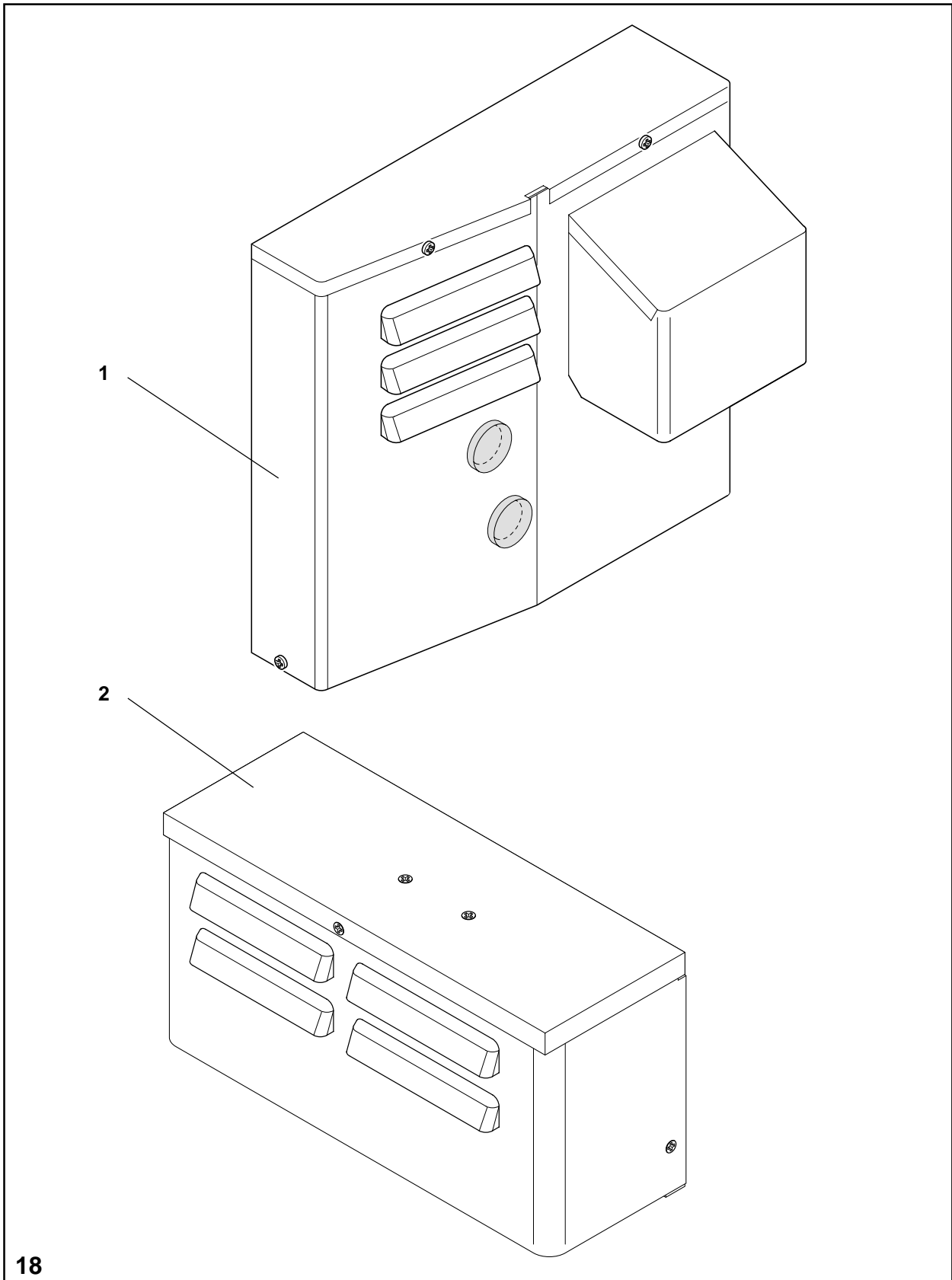
- Connect the adapter cable harness (3) and cable harness level sensor (6). (Fig. 3)

**CAUTION:** Plug the differently colored cable (7) of the adapter cable harness to PIN1 (8) of the level sensor cable harness. (Fig. 4)

- Bend the cable harnesses as shown in Fig.5.
- Tighten the cable harnesses with the first cable binder (9) as close as possible to the cable connection. (Fig. 5)
- Tighten the second cable binder (10) as shown in Fig. 5.
- Assemble the mounting plate and the level sensor by means of the tapping screws on the boiler cover. (see arrows, Fig. 6)
- Assemble the boiler cover as shown in Fig. 7.



## 10.2 Spare Parts List



## 10.2 Spare Parts List

Pos.	Part.-No.	Designation
1/18	36020501	<b>MCB housing compl. packed</b> with:
-	-	Fastening material for board
-	-	Cover MCB housing
-	-	Console MCB housing
-	-	MCB
		<b>Additionally</b> ( <b>not incl.</b> in the a. m. assembly)
	G-1462	Cable harness BU 21-22 front part
-	36052200	Screw M4x6mm with coned half dog (fastening MCB housing at splash panel, 1 pcs)
2/18	36020201	<b>Switching mode power pack, assy</b> with:
-	-	Kit fastening material for switching mode power pack
-	-	Cover for console for switching mode
-	-	Kit fastening material fan
-	-	Console switching mode power pack
-	-	Switching mode power pack



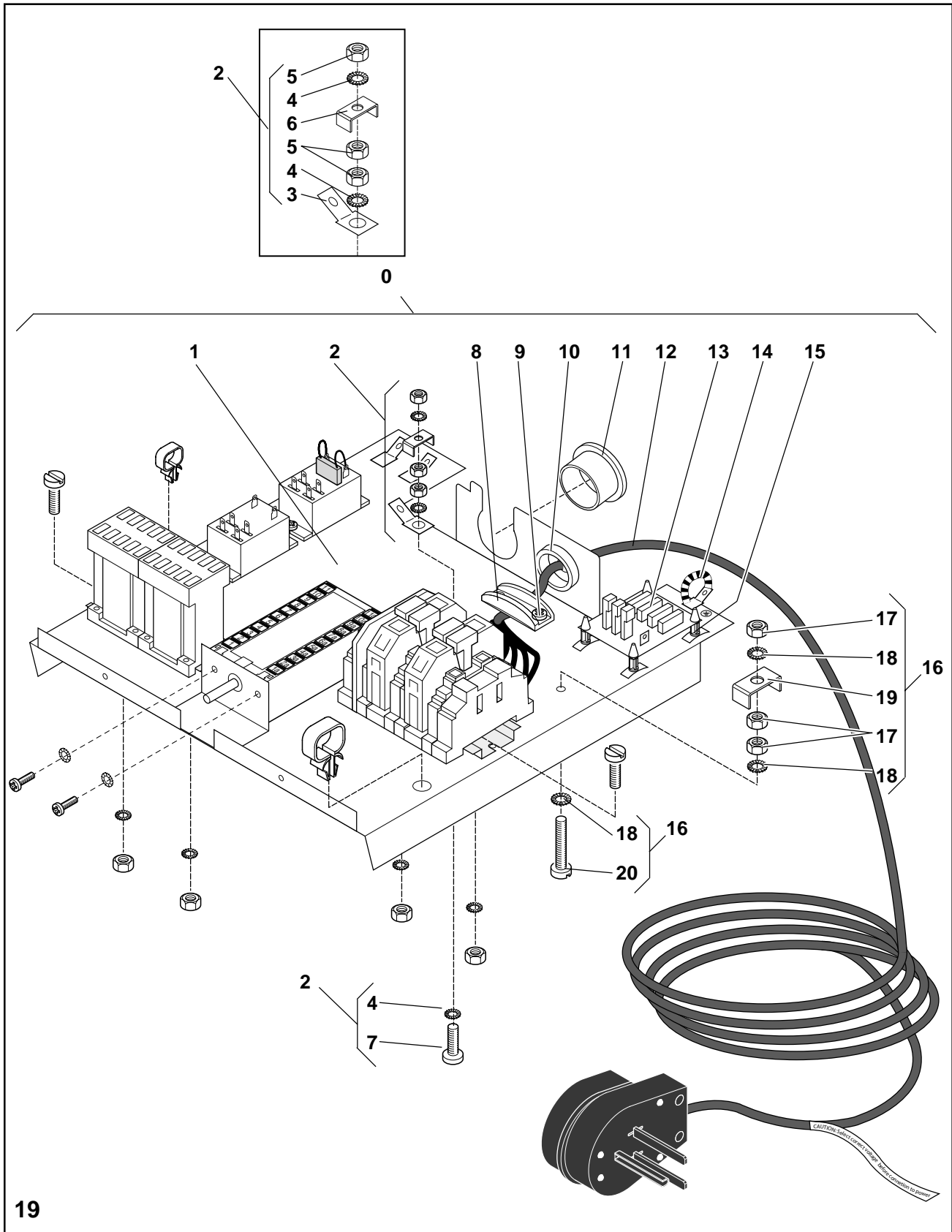
All cable connections included in the front part (see following list) are connected to the cable harness G-1462 BU 21-22, front part, in the control system housing compl.

Cable harness fan	Cable harness switching mode power pack
Cable harness inter connector	Cable harness boiler
Cable harness circuit board	Cable harness relay, valve, mixer, LED, sensor
Cable harness empty detection	Cable harness B2 coil



On delivery, the cable harnesses included in the assemblies 36026600 B2 coil, and 36026700 empty detection compl., are connected by the manufacturer, but they can be replaced if a spare part is required (see Service Manual). The corresponding tool is indicated in chapter 4 Tools. If a spare part is required, the respective assembly as well as the service tool must be ordered.

# 10.2 Spare Parts List



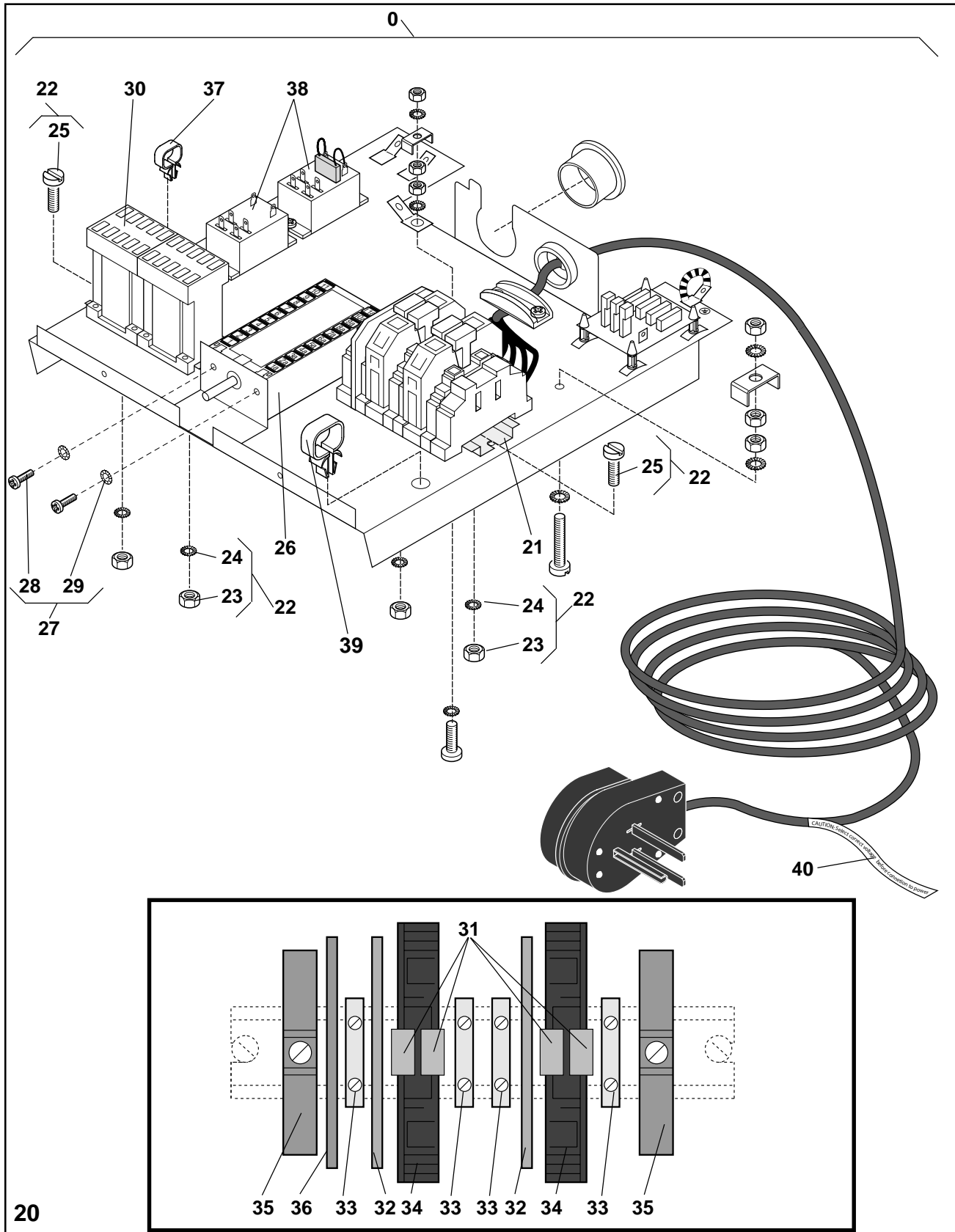
19



## 10.2 Spare Parts List

Pos.	Part.-No.	Designation
<b>0/19</b>	<b>H-3307</b>	<b>Power pack US/CAN 3-element heating</b> consisting of:
1/19	36025500	Console for power pack assy
<b>2/19</b>	<b>G-1447</b>	<b>Kit Grounding 1</b> consisting of:
3/19		Flat plug
4/19	A-0136	Lock washer 4,3mm
5/19	A-0103	Nut M4
6/19	D-0207	Cable clamp ground
7/19	A-0842	Screw recessed head M4x25mm
8/19	D-0787	Strain relief
9/19	A-0943	Screw Eject-PT 30x25mm
10/19	D-0791	Opening for cable
11/19	A-0720	Cap
12/19	G-7926	Mains cable, assy
13/19	H-3252	Filter board
14/19	35018400	Earthing strand cable socket
15/19	35034400	Clips
<b>16/19</b>	<b>G-1448</b>	<b>Kit Grounding 2</b>
17/19	A-0104	Nut M5
18/19	A-0137	Lock washer 5,3mm
19/19	D-0825	Cable clamp, ground
20/19	A-0080	Cheese head screw M5x25

# 10.2 Spare Parts List



## 10.2 Spare Parts List

Pos. Part.-No. Designation

Power pack US/CAN 3-element heating (continuation)

21/20	G-1884	Mounting rail
<b>22/20</b>	<b>G-1449</b>	<b>Kit fastening material for mounting rail</b>
23/20	A-0103	Nut M4
24/20	A-0136	Lock washer 4,3mm
25/20	A-0021	Cheese head screw M4x6mm
26/20	D-1034	Turn switch
<b>27/20</b>	<b>G-1450</b>	<b>Kit fastening material for switch mounting</b>
28/20	09187710	Screw M4x8mm
29/20	A-0136	Lock washer 4,3mm
30/20	F-0455	Contactor
31/20	D-0766	Terminal bridge
32/20	D-0770	Cover plate
33/20	D-0768	Terminal wafer
34/20	D-0765	Terminal wafer
35/20	D-0767	Terminal end clamp
36/20	D-0769	Divider plate
37/20	36027700	Cable clamp small
38/20	E-0787	Relay
39/20	36027800	Cable clamp large
40/20	B-2045	Sticker "Caution" for mains cable
-	G-6918	Cable harness contactor UL parallel
-	G-6924	Cable harness heating commutator US/CAN
-	D-0987	Adapter plug

## 10.2 Spare Parts List

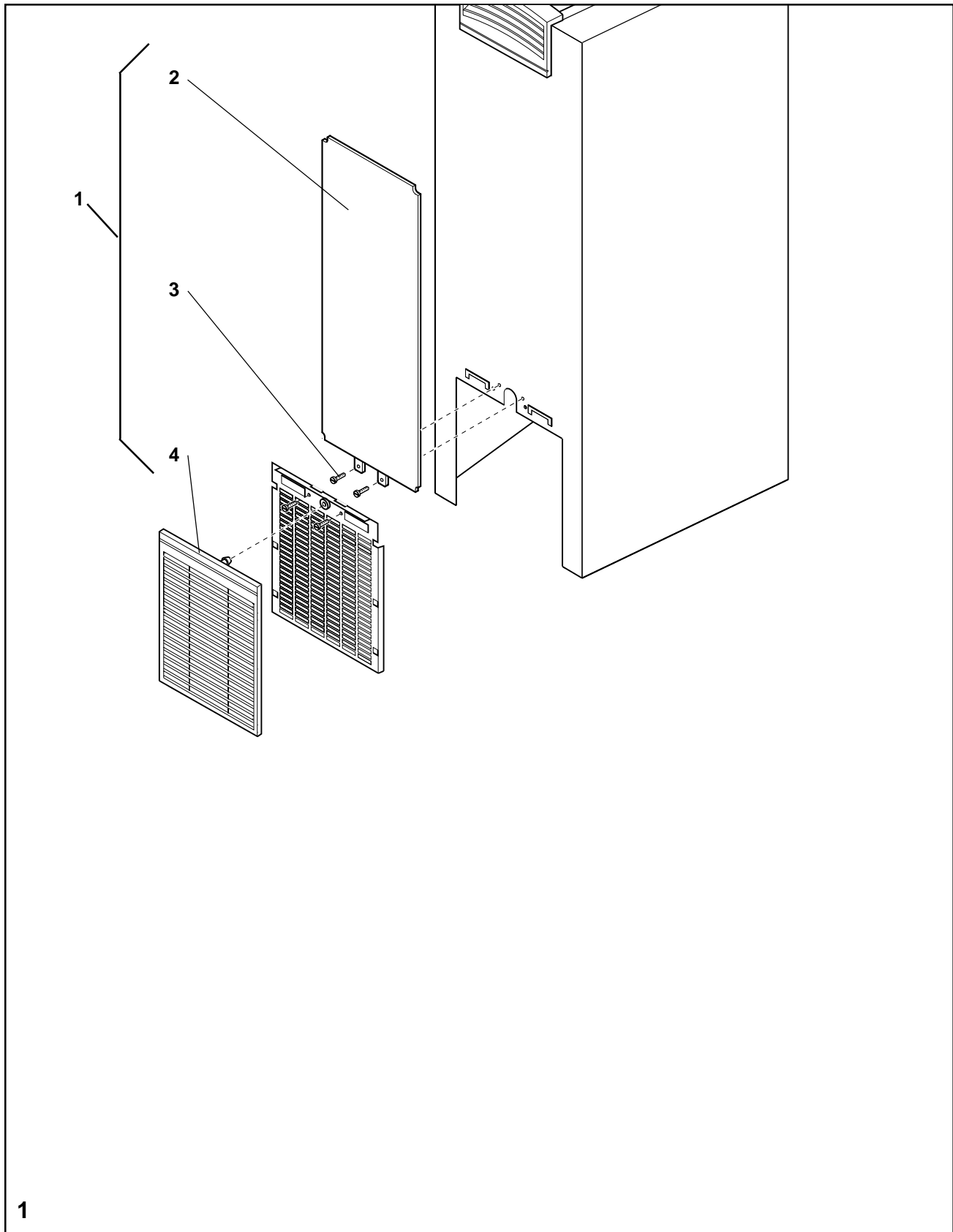
---

## 10.3 Spare Parts List Kits

### *Index*

	Chapter / Page
<b>Components - Kits</b>	<b>10.3</b>
Kit Advertizing panel	3
Kit filter grid incl. cover connecting console	3
Kit Café cool (technically not yet released)	5
Exchange kit 2 whippers	7

# 10.3 Spare Parts List Kits



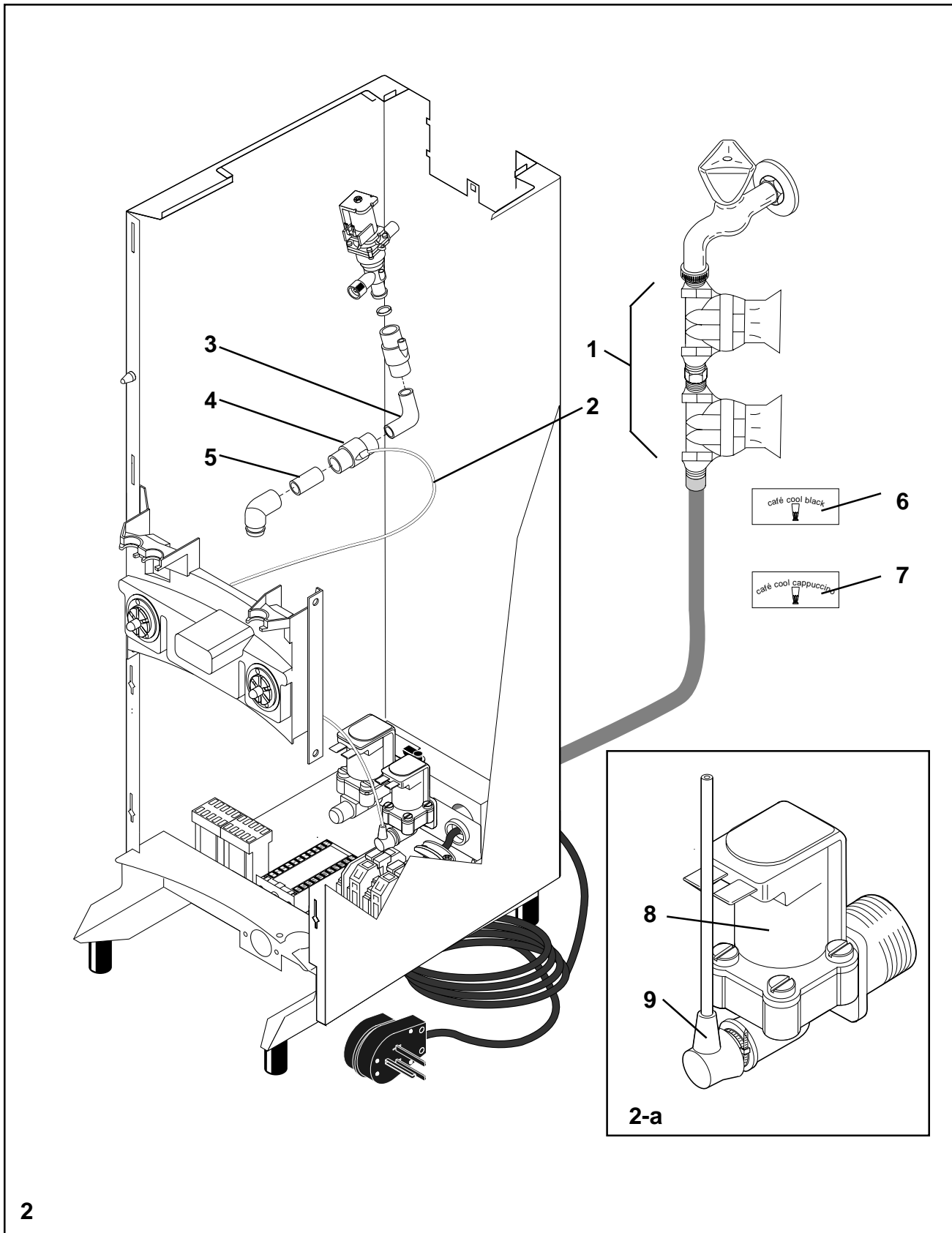
1

---

## 10.3 Spare Parts List Kits

Pos.	Part.-No.	Designation
1/1	<b>36033600</b>	<b>Kit advertizing panel, back</b> consisting of:
2/1	36050700	Advertizing panel
3/1	A-0847	Screw recessed head M3x6mm (2 pcs)
4/1	<b>36051901</b>	Filter grid for advertizing panel, mounted consisting of:
-	36033501	Filtergrid for advertizing panel
-	35170500	Locking device
-	35188300	Screw EJOT 30x10
-	36051300	Filtercloth
-	36033100	Frame for fixing

# 10.3 Spare Parts List Kits



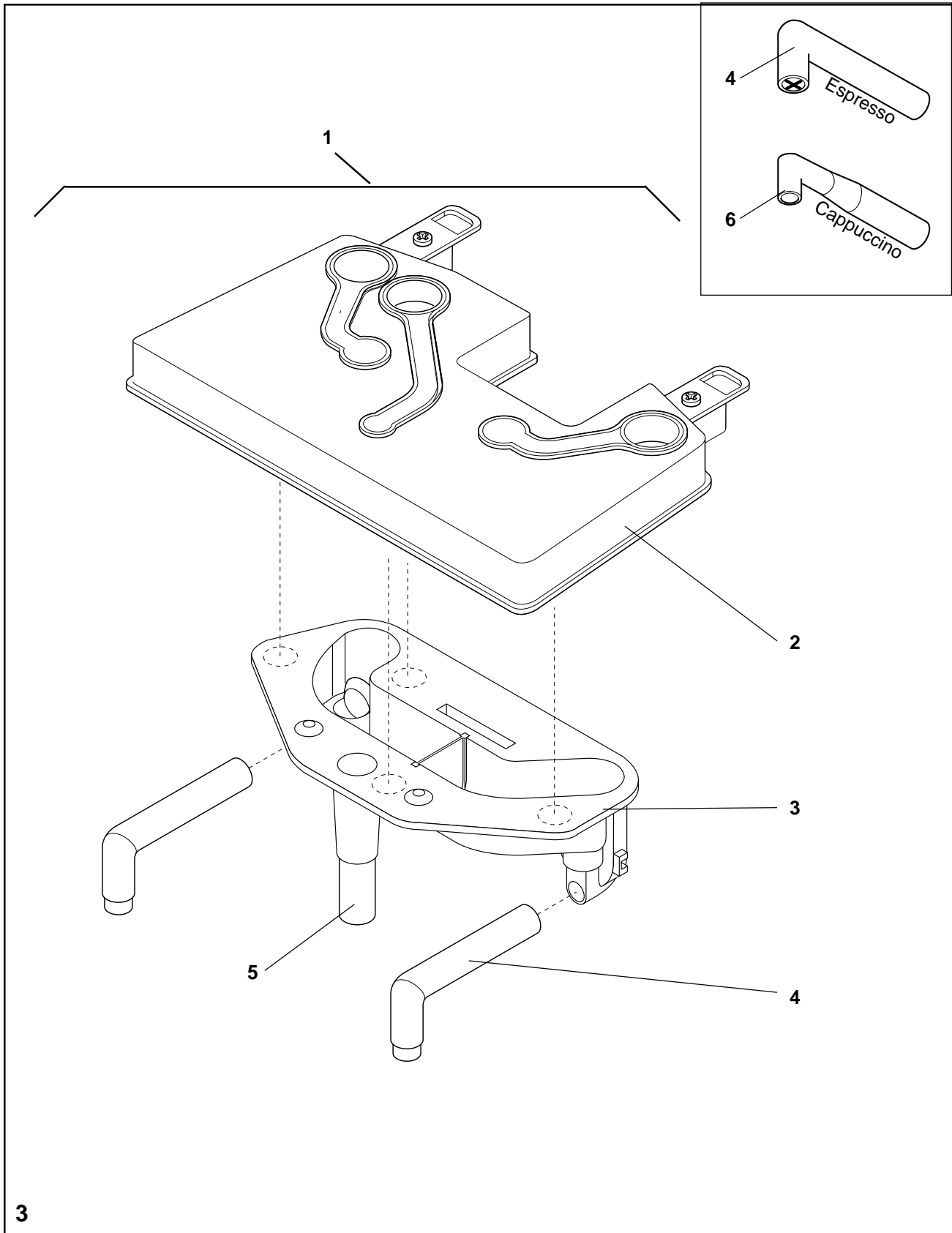


---

## 10.3 Spare Parts List Kits

Pos.	Part.-No.	Designation
-		<b>Kit "Café Cool"</b> consisting of:
01/2	M-4342	Dosing unit, assy
02/2	G-2830	Hose 500mm
03/2	B-1626	Elbow tube
04/2	B-1409	Support for nozzle
05/2	B-1625	Tube
06/2	G-5218	Push button "café cool black"
07/2	G-5219	Push button "café cool cappuccino"
08/2-a	F-0461	Solenoid valve 24V
09/2-a	35003400	Angular spout

# 10.3 Spare Parts List Kits



---

## 10.3 Spare Parts List Kits

Pos.	Part.-No.	Designation
01/3	M-6404	<b>Exchange kit combined trough 2 whippers</b> consisting of:
02/3	B-2011	Trough box, assy
03/3	G-6147	Combined trough 2 whippers, assy
04/3	B-1620	Outlet espresso, assy
05/3	B-1856	Delivery spout 50mm
06/3	B-1544	Outlet cappuccino

---

## 10.3 Spare Parts List Kits

--

---

## 10.4 Spare Parts List Accessories and Tools

### *Index Spare parts list*

Chapter / Page

#### **Accessories and Tools**

**10.4**

Service Device	3
Service Device adapter	3
Dummy cap for base stay	3
Kit Tools	3
Rating plate sticker set US/CAN	3
Machine type sticker set	3

# 10.4 Spare Parts List Accessories and Tools

U1	208/240	U2=U3	208/240	U4	208/240	U5	208/240	U6	120
EINGESTELLTE WERTE, SELECTED VALUES.	4.4/5.8	EINGESTELLTE WERTE, SELECTED VALUES.	2.9/3.8	EINGESTELLTE WERTE, SELECTED VALUES.	2.4/3.1	EINGESTELLTE WERTE, SELECTED VALUES.	6.8/8.9	EINGESTELLTE WERTE, SELECTED VALUES.	1.8
	4.2/5.6		2.7/3.6		2.2/2.9		6.6/8.7		1.6
	30		20		20		50		20

## 10.4 Spare Parts List Accessories and Tools

Pos.	Part.-No.	Designation
01/1	H-0923	Service Device
02/1	H-0931	Service device adapter (9 pol.)
03/1	nla	
04/1	nla	
05/1	nla	
06/1	A-0852	Dummy cap
07/1	nla	
08/1	<b>NLA</b>	<b>Kit Tools</b> consisting of:
9/1	H-0932	Rotary button for adjusting the heating capacity
10/1	36001000	Service tool hot water valve
11/1	35224400	Tool control board
12/1	H-0933	Tool push button
13/1	A-0851	Screw driver for Torx
14/1	11-03-0044	Service tool for cable harness empty detection and B2 coil (to be ordered at: <b>Molex</b> , Americas Headquarters, Lisle, Illinois or World Headquarters, 222 Wellington Court, Lisle, Illinois 60532 USA)
15/1	nla	
16/1	nla	
-	H-3310	Wiring diagram packed
-	B-2294	Operating Instructions USA
-	B-2329	Quick reference card USA
-	B-2297	CD-ROM Service Manual USA incl. Spare Parts List

---

## 10.4 Spare Parts List Accessories and Tools



---

## 10.5 Spare Parts List Country Kits

### *Index Spare Parts*

	Chapter / Page
<b>Country kits</b>	<b>10.5</b>
Country kit USA	3

---

## 10.5 Spare Parts List Country Kits

## 10.5 Spare Parts List Country Kits

Pos.	Part.-No.	Designation
-	<b>M-6421</b>	<b>Country Kit USA</b> consisting of:
-	G-5228	Push button "cappuccino"
-	G-5229	Push button "espresso"
-	G-7210	Push button "caffè latte"
-	G-6218	Push button "strong coffee" pot
-	G-6219	Push button "strong coffee" cup
-	G-7216	Push button "regular coffee" cup
-	G-7213	Push button "regular coffee" glass pot
-	B-1734	Push button black
-	G-6232	Push button "hot water"
-	G-7287	Push button "whipped coffee"
-	G-7214	Push button "hot milk"
-	B-1222	Spare part key
-	G-5181	Distance piece for wall mounting
-	M-6404	Exchange kit combined trough 2 whipper
-	G-5095	Adapter 5/8"
-	A-0384	Sealing washer 24x14x2
-	A-0615	Union wing nut 3/4"
-	B-2294	Operating instructions USA

**Inlet fitting consists of 1 each; G-6095, A-0616, & A-0384**

---

## 10.5 Spare Parts List Country Kits

---

## 10.6 Spare Parts List Push Buttons with Frame

### *Index Spare parts list*

	Chapter / Page
<b>Push buttons with frame</b>	<b>10.6</b>
General remarks	3
Push buttons USA	4
Overview further push buttons	5



## 10.6 Spare Parts List Push Buttons with Frame

### ***General remarks***

- When ordering Spare Parts please quote the part number, the designation of the part and the quantity.





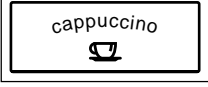

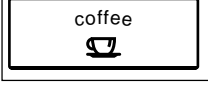
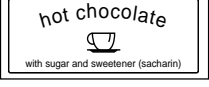

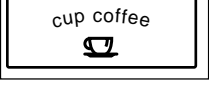
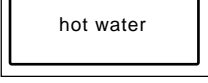
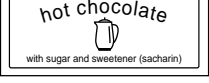
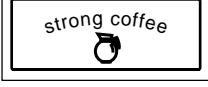
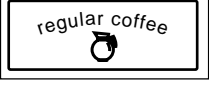
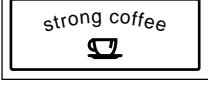
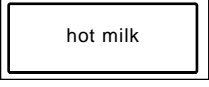
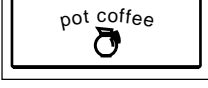
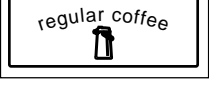
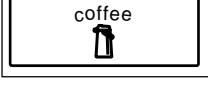
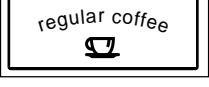

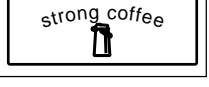
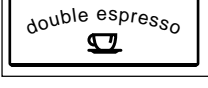
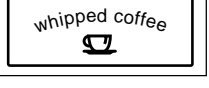
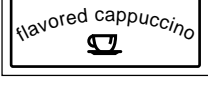
Spare parts and accessories are especially designed for the dispensers of **Douwe Egberts**. **We explicitly point out that parts not delivered by ourselves have not been checked and approved by us.**

**The installation and/or use of such parts may affect the constructional properties of the dispenser and thus impair the operating safety.**

**The manufacturer excludes any liability for damages that result from the use of parts or accessories that are not original.**





In case of ordering parts contact your **Douwe Egberts Coffee Systems Order Department**.

## 10.6 Spare Parts List Push Buttons with Frame

<u>Country USA</u>		<u>Country USA</u>	
Part.-No.	Push buttons	Part.-No.	Push buttons
G-7210		G-6212	
G-7211		G-6213	
G-5228		G-5229	
G-6210		G-8239	
G-6228		G-6264	
G-6232		G-8241	
G-6218		G-7213	
G-6219		G-7214	
G-6265		G-7215	
G-6226		G-7216	
G-6209		G-7217	
G-7218		G-7287	
G-7219			



## 10.6 Spare Parts List Push Buttons with Frame

Overview push buttons		
Part.-No.	Push buttons	
B-1734		Dummy button (no push button)
G-7285		Push button "stop"
G-3403		Brewing - Display (no push button)
B-1735		Push button without print

## 10.6 Spare Parts List Push Buttons with Frame

--	--

---

## 10.7 Spare Parts List Advertizing Photos

Front Side Graphic

50044